

Installation Instructions for the *Kodak* Imprinter Accessory for use with *Kodak Ngenuity i9000 Series* Scanners

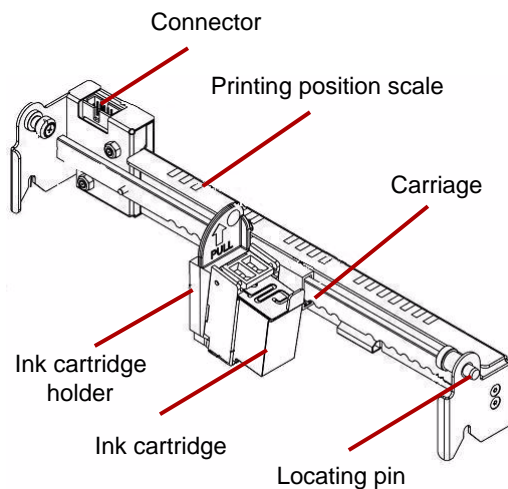
Following are instructions for installing the Imprinter Accessory for the *Kodak Ngenuity i9000 Series* Scanners. See the User's Guide for procedures on how to use this accessory.

The Imprinter Accessory includes:

- 1 Imprinter Accessory
- 1 Black ink cartridge

NOTE: Replacement ink cartridges can be purchased online at: scannerstore.Kodak.com.

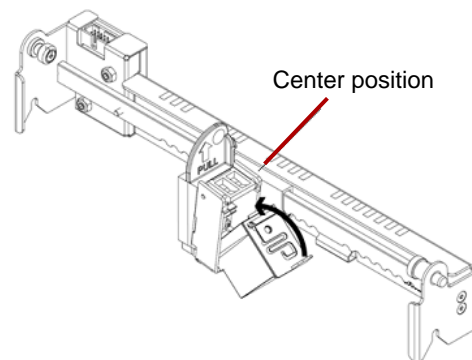
Installing the front page imprinter and ink cartridge



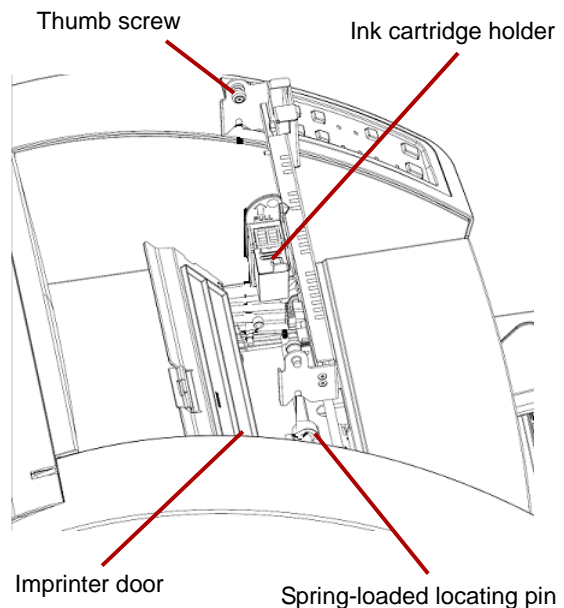
To ensure proper installation of the ink cartridge, install the imprinter cartridge *before* installing the imprinter into the scanner. Be sure the ink cartridge is properly seated.

1. Remove the imprinter and ink cartridge from the box.
2. Remove the protective tape from the ink cartridge.
3. Move the carriage to the center position.

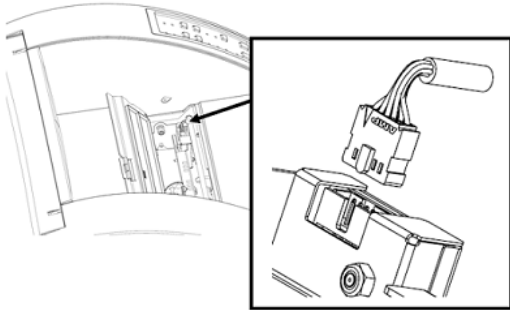
4. Hold the ink cartridge holder with one hand and place the ink cartridge (bottom end first) into the holder and snap it into place.



5. Turn off the scanner and power down the PC.
6. Remove the scanner exit tray.
7. Open the front page imprinter door.
8. Insert the spring-loaded locating pin into the corresponding hole found in the scanner's front page assembly (left side) with the ink cartridge holder.



9. Hand-tighten the thumb screw located on the right side of the imprinter into the corresponding hole found in the scanner's front page assembly.
10. Connect the imprinter cable to the connector on the imprinter unit noting the orientation of the key on the plug and the slot on the connector.

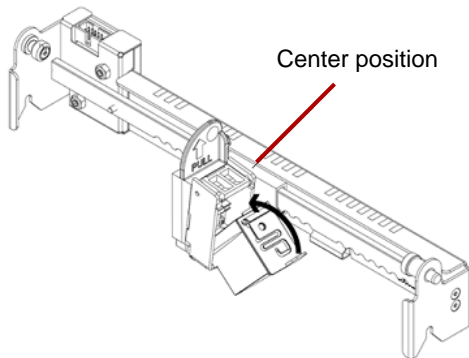


11. Close the imprinter door.
12. Replace the exit tray.

Installing the back page imprinter and ink cartridge

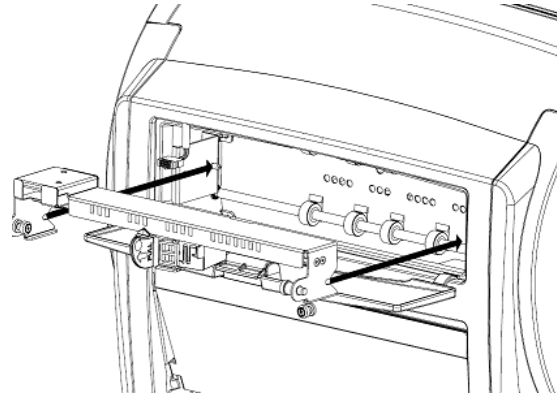
To ensure proper installation of the ink cartridge, install the imprinter cartridge *before* installing the imprinter into the scanner. Be sure the ink cartridge is properly seated.

1. Remove the imprinter and ink cartridge from the box.
2. Remove the protective tape from the ink cartridge.
3. Move the carriage to the center position.
4. Hold the ink cartridge holder with one hand and place the ink cartridge (bottom end first) into the holder and snap into place.

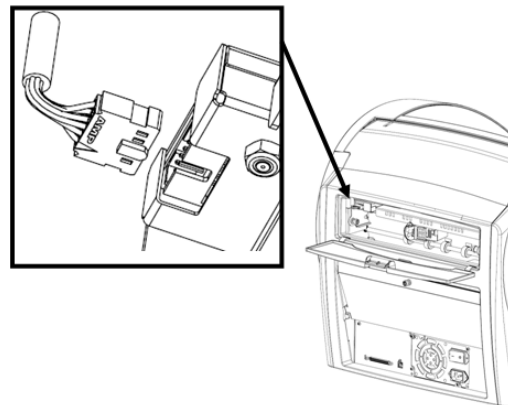


5. Open the back page imprinter door located in the back of the scanner.

6. Install the imprinter with the ink cartridge holder facing the bottom of the scanner, inserting the spring-loaded locating pin into the corresponding hole found in the back page assembly.



7. Hand-tighten the thumb screw located on the left side of the imprinter into the corresponding hole found in the scanner's back page assembly.
8. Connect the imprinter cable noting the orientation of the key on the plug and the slot on the connector.



9. Close the back page imprinter door.
10. Turn on the scanner and the PC.
11. Launch the Ngenuity Operator Utility and confirm the imprinter is recognized.

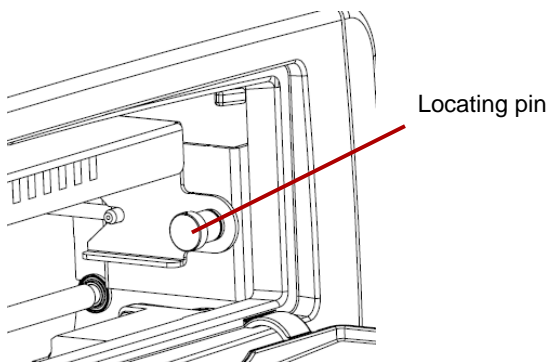
NOTE: Do not leave the ink cartridge in the imprinter when not in use.

Removing the front imprinter

1. Turn off the scanner.
2. Remove the exit tray.
3. Open the front page imprinter door.
4. Unplug the imprinter cable.
5. Unscrew the thumb screw located on the right side of the imprinter.
6. Pull the spring-loaded locating pin on the left side of the imprinter unit away from the wall of the scanner.
7. Lift the imprinter up and out of the scanner.
8. Close the front page imprinter door, reinstall the exit tray and turn on the scanner.

Removing the back imprinter

1. Turn off the scanner.
2. Open the back page imprinter door.
3. Unplug the imprinter cable.
4. Unscrew the thumb screw located on the left side of the imprinter.
5. Pull the spring-loaded locating pin away from the wall of the scanner releasing the pin from the scanner's back page assembly.



6. Pull the imprinter out of the scanner.
7. Close the back page imprinter door.
8. Turn on the scanner.