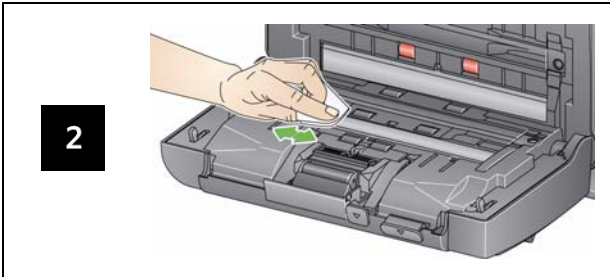


Cleaning the imaging area




Supplies and Accessories

| CAT No. | Description |
|----------|------------------------------------|
| 148 4864 | Kodak Feed Rollers |
| 173 6115 | Kodak Separation Module |
| 826 9607 | Kodak Feed Module |
| 853 5981 | Kodak Roller Cleaning Pads |
| 169 0783 | Kodak Transport Cleaning Sheets |
| 896 5519 | Staticide Wipes for Kodak Scanners |
| 826 6488 | Brilliance Detailer Wipes |
| 892 7717 | Kodak White Background Accessory |
| 119 9470 | Kodak Legal Flatbed Accessory |
| 189 4351 | Kodak A3 Flatbed Accessory |

Indicator Lights and Error Codes

NOTE: If you have a *Kodak i2400* Scanner, only the code will be displayed in the function window.

| Code | Message/Remedy |
|-------------------|---|
| 0 | <i>Check USB cable</i> Indicates that there is no USB connection or the USB cable is not securely attached. |
| | <i>Power saver mode</i> No action required. |
| | <i>Scanning....</i> The scanner is scanning documents. |
| U5, E3 | <i>Rescan documents</i> USB cable has been disconnected while the scanner was running. |
| U6 | <i>Clear paper path and close cover</i> Open the scanner cover and verify that all documents are removed from the paper path. Then close the scanner cover. |
| U8 | <i>Multifeed</i> <ul style="list-style-type: none"> A multifeed document has been detected. Clear the multifeed condition. The document you are trying to scan is too long. |
| U9 | <i>Paper jam</i> Document jam or the paper path is blocked. Clear the documents from the paper path. |
| E1, E2 |  <ul style="list-style-type: none"> Be sure all cables are connected properly. Turn power off and then on again. If the problem persists, call Service. |
| E2, E4, E7 | <ul style="list-style-type: none"> Turn power off and then on again. If the problem persists, call Service. |

Kodak Alaris Inc.
2400 Mount Read Blvd.
Rochester, New York 14615
A-61678 / Part #5K3540 July 2014
© 2014 Kodak Alaris Inc. All rights reserved

The Kodak trademark and trade dress are used under license from Eastman Kodak Company.



i2400/i2600/i2800 Scanners



Reference Guide

Kodak Service & Support

www.kodakalaris.com/go/disupport

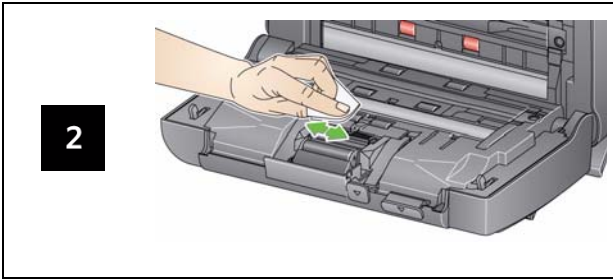
1.800.822.1414

(US&C only; all other regions, contact your local Kodak Alaris Support Center)

When contacting support, have the following available:

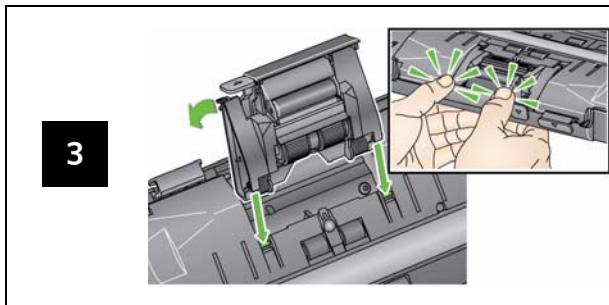
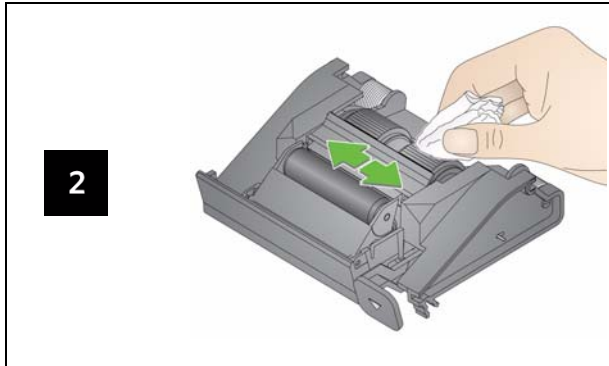
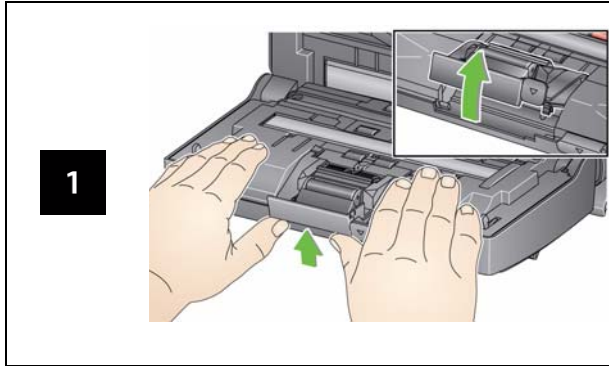
- A description of your problem
- Scanner model and serial number
- Computer configuration
- Software application you are using

Cleaning the rollers



IMPORTANT: The Roller Cleaning Pad contains sodium lauryl ether sulfate which can cause eye irritation. Refer to the MSDS for more information.

Cleaning and replacing the separation module



Cleaning and replacing the feed module

