



Document Scanner 5500
Document Scanner 7500

User's Guide

A-61070
Part No. 1E8132

Safety Information for Installation Instructions for the *Kodak Digital Science™* Document Scanner 5500 and 7500

IMPORTANT: Equipment shall be installed by qualified personnel.

WARNING: Dangerous voltage. Disconnect the main power before installation.



CAUTION: Hot surface, avoid contact

ATTENTION: Eviter le contact, pieces brulantes

VORSICHT: Heisse oberflaeche, beruehrung vermeiden

Safety Information for User/Installation Instructions for the *Kodak Digital Science™* Automatic Document Feeder

IMPORTANT: Equipment shall be installed by qualified personnel.

WARNING: Dangerous voltage. Disconnect the main power before installation.



CAUTION: Moving parts, avoid contact

ATTENTION: Eviter le contact, pieces en mouvement

VORSICHT: Bewegliche teile, beruehrung vermeiden

1 Introduction

This manual supports the *Kodak Digital Science* Document Scanners 5500 and 7500.

The *Kodak Digital Science* Document Scanner 5000/7000 series scanners are high-speed, high-resolution rotary scanners designed for medium- to high-volume digital capture of business documents. The Document Scanners capture printed characters, handwritten text, and graphics from documents of various sizes and thicknesses in an electronic format for indexing and database storage.

This manual explains how to set-up, operate, maintain and troubleshoot the Document Scanner 5000/7000 series scanners.

NOTE: Illustrations in this User's Guide are shown using the semi-automatic feeder.

Scanner features

The Document Scanners 5500/7500 have the following features:

- Scans up to 120 pages per minute (Scanner 7500 — standard sized documents fed in landscape orientation; continuous transport using the semi-automatic feeder).
- High-speed scanning and image resolution.
 - ◇ **Scanner 5500** scans 80 landscape (A4 size) or 60 portrait (8 ½ x 11-inch) documents per minute at 200 dpi or 40 landscape (A4 size) or 30 portrait (8 ½ x 11-inch) documents per minute at 300 dpi.
 - ◇ **Scanner 7500** scans 120 landscape or 90 portrait documents (8 ½ x 11-inch or 216 x 279 mm) per minute at 200 dpi or 80 landscape or 60 portrait documents per minute at 300 dpi.
- Handles documents of up to 2.5 to 20 in. (64 to 508 mm) long, 2.5 to 12 in. (64 to 305 mm) wide, and 0.014 in. (0.36 mm) thick. The gap release feature allows thicker documents to be scanned.
- Manual or automatic feeding — documents can be hand-fed one at a time or stacked up to 1.5 inches (38 mm) or approximately 300 documents of 20-pound stock.
- Front and rear scanning allows scanning of one or two sides of a document in a single pass.
- Easy operation — documents enter and exit the scanner in the same order.
- Easy-to-reach control panel keys.
- A high-speed document transport system.
- Document skew monitoring.
- Multi-feed detection via length monitoring
- A two-line, status display which displays image addresses, current application modes and error messages.

- Full programmability of all 18 application modes with override capability.
- Audible tones for selected functions such as footswitch, patch reading, etc.
- English or other language message display.
- Convenient table-top size.
- An adaptable, modular design for easy addition of accessories.

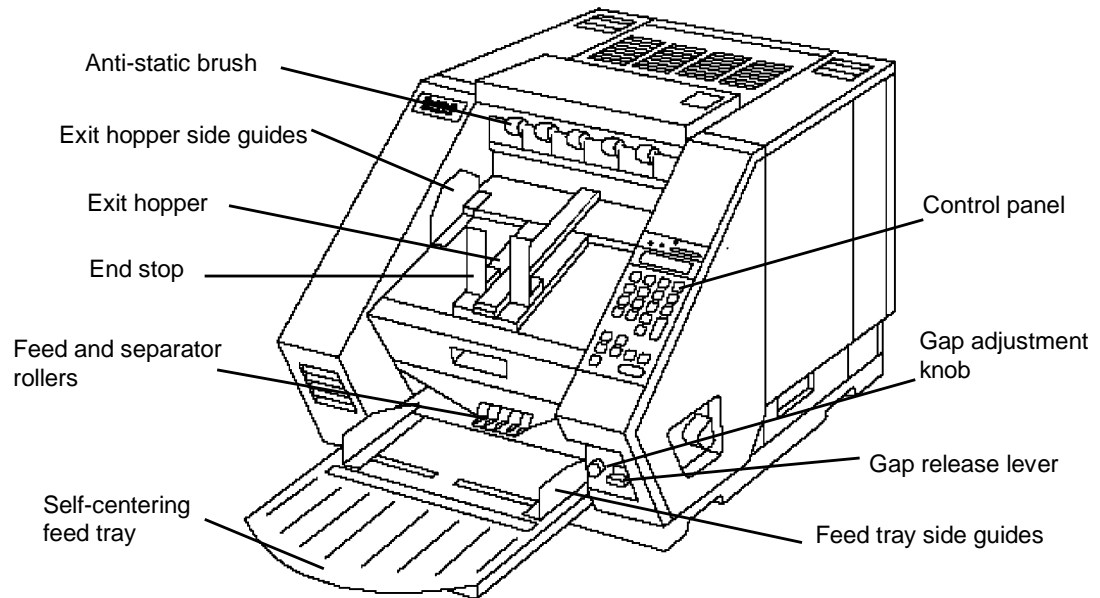
Scanner options

The following optional accessories are available for use with your scanner:

- A choice of feeders — automatic document feeder or a semi-automatic document feeder.
- Document printer(s) which provide pre-scan (front) and/or post-scan (rear) capability.
- A bar code reader for decoding encoded information.
- A patch reader for automatic document level control.
- A footswitch for document level control.
- A universal stand which has a large, built-in workshelf.

Scanner components The following illustrations and descriptions will help you locate and become familiar with scanner components.

Front View — Document Scanners 5500/7500
(shown with semi-automatic feeder)



Anti-static brush — minimizes the static build-up on the documents before they are deposited in the exit hopper.

Exit hopper side guides — adjustable to accommodate the size of your documents to aid in neat and even stacking.

Exit hopper— collects documents after they have been scanned.

End Stop — keeps documents in place as they exit the scanner.

Feed and separator rollers — provides smooth document feeding of various sizes and textures.

Self-centering feed tray — centers documents in the transport for reduced skew and cropping control.

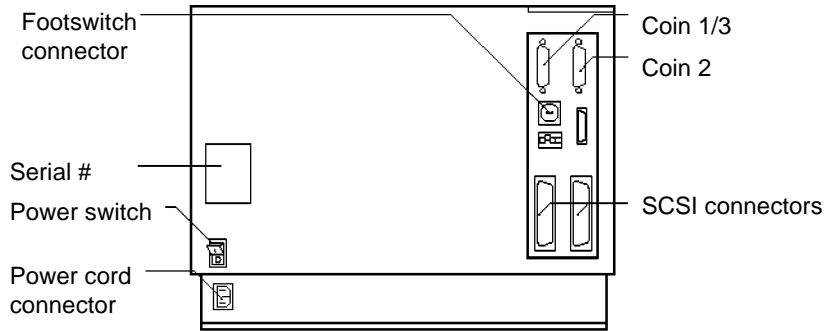
Control panel — contains the status display, indicators, and operating keys used to control the scanner.

Gap adjustment knob — allows you to manually adjust the space between the feed and separator rollers for documents of varying thicknesses.

Gap release lever — allows you to open the feed gap to allow thicker documents to be fed into the transport.

Feed tray sides guides — holds documents prior to feeding.

Rear View — Document Scanners 5500/7500



Footswitch connector — allows you to plug in the optional Footswitch accessory.

Serial number — provides the serial number and agency approvals.

Power switch — toggle this switch to turn the power on (I) or off (O).

Power cord connector — plugs into an appropriate power outlet.

Coin 1/3 — service/ diagnostic interface. Configures the scanner and runs diagnostics.

Coin 2 — not for customer use.

SCSI connectors — SCSI interface connection for the scanner.

For European units only:

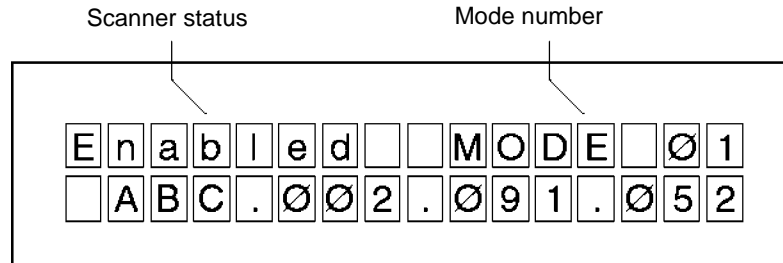
WARNING: *Communications between the Scanner 5500/7500 and the host computer including both the SCSI cable (TDK: HF70RH26X29X13) and RS-232 cable (TDK: HF70RH12X15X7.3) must have ferrite cores. These ferrite-cored cables are used for radio frequency interference suppression.*

Control panel

The control panel consists of the status display and the operation keys and indicators.

Status display

The status display indicates the image address, current application mode and error messages.



Scanner Status — displays if the scanner is **enabled** or **disabled**.

Mode Number — displays the current mode number or name.

Fixed field — an alphanumeric field containing fixed information, i.e., the date.

Delimiters — used to separate the levels in an image address. Delimiters can be displayed in different locations (as shown above) based upon system configuration.

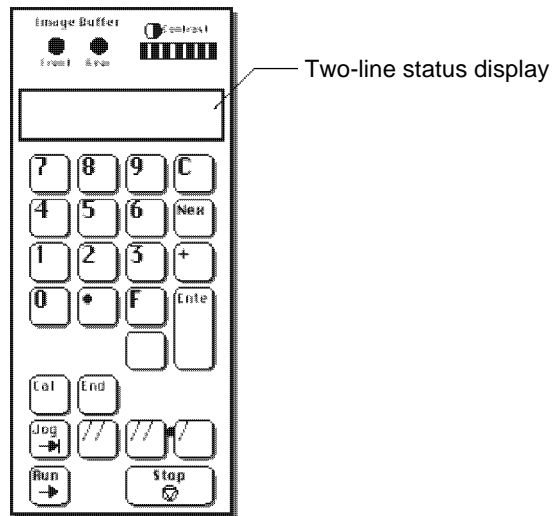
Level I — when pressed, will identify the next document as a Level 1 document.

Level II — when pressed, will identify the next document as a Level 2 document.

Level III — when pressed, will identify the next document as a Level 3 document.

Operating keys and indicators

Following is an illustration and a description of the operating keys and indicators.



Key/Indicator	Function
Image buffer status	Front — green indicates the front side image buffer is available for scanning; red indicates the buffer is not available and the feeder is off (for simplex- and duplex-defined application modes). Back — green indicates the rear side image buffer is available for scanning; red indicates the buffer is not available and the feeder is off (for duplex-defined application modes only).
Contrast thumbwheel	Allows you to adjust the display contrast between the characters and the background in the display.
Numeric keys (0-9)	Used with the Enter key to enter numeric data such as an image address or function code.
Decimal key	Allows you to insert a field separator in an image address.
F key	Selects one of the available functions when used with the numeric keys.
C	Clear or Cancel. Allows you to cancel a function without changing the preset value(s). Also used to clear error messages from the status display.

Operating keys and indicators

Keys/Indicators	Function
Next	Allows you to enter the next document image address.
+	Allows you to enter a new value for the image address. When pressed, it allows a field to remain unchanged.
Enter	Used to enter numeric data for a function code or an image address change.
Back	Used to move the cursor back one space during numeric data input (the last data input is erased).
CAL	Starts the calibration process.
End	Press End to stop the feeder and transport system at the end of a batch or job and alert the host computer that the batch or job has ended. When pressed, the documents in the transport system will be scanned and stacked faced down in the exit hopper before the transport is disabled.
Jog	Momentarily turns on (jogs) the transport system to help document jams.
Level 3 key	Identifies the next document fed into the scanner as a Level 3 document.
Level 2 key	Identifies the next document fed into the scanner as a Level 2 document.
Level 1 key	Identifies the next document fed into the scanner as a Level 1 document.
Run	Turns on the feeder and transport system.
Stop	Stops the feeder and transport system. When Stop is pressed, documents in the transport system will be scanned and placed in the exit hopper before the transport system stops.

Confirmation tone/alarm The confirmation tone/alarm is located under the control panel and sounds when one of the following conditions occur:

- **Run** is pressed (one long tone).
- **Stop** or **End** is pressed (many short tones followed by a long tone).
- Feeder clutch engages/disengages (one short tone).
- Incorrect key is pressed (three short tones).
- Document skew is greater than what is setup in the skew parameter, or when a document is shorter or longer than the specified length parameters (one short tone).
- A bar code is detected (if the accessory is enabled and the confirmation tone is enabled).
- A patch code is detected (if the accessory is enabled and the confirmation tone is enabled).
- The Footswitch is detected (if the accessory is enabled and the confirmation tone is enabled — one short tone).

2 Getting Started

The following steps are necessary to prepare the scanner for operation. Procedures on how to perform these steps are described in this chapter.

1. Turn on the power to the scanner.
2. Select the language display.
3. Calibrate the scanner.
4. Prepare the documents for scanning.
5. Adjust the feed and separator roller gap, if required (semi-automatic feeder).
6. Adjust the feed shelf position.
7. Adjust the feed shelf side guides.
8. Adjust the exit hopper side guides and end stop.
9. Select the desired application mode and image level, or the Count Only function.
10. Start the scanner from the host computer. (This step is not necessary for the Count Only function.)
11. Press **Run**.
12. Feed the documents into the scanner.
13. Press **Stop** or **End**, depending on whether the batch or job has been completed.

NOTE: After you press **Stop**, **Run** can be pressed again and more documents can be fed into the scanner. After pressing **End**, you must enable the scanner from the host computer before scanning again.

Turning on the scanner

Follow the steps below to turn on the power to the scanner.

1. Turn on the power switch (located at the rear of the machine).

NOTE: Several initialization messages will appear in the status display. If you cannot see any messages, try adjusting the contrast.

2. Send the Scan command from the host computer to the scanner. The message **Enabled** will appear in the status display. The current application mode and next image address will also be displayed.

IMPORTANT: *Do not use the operating keys until the **Warming Up Completed** message has been displayed. Entries made before this message is displayed will not be recognized by the scanner.*

Selecting the language display

The scanner may have been configured at installation to allow use of a second language in the status display. The language used (French, German, Italian, Spanish, or other) is defined during installation. If available, the alternate language display may be accessed using function code F19.

Calibrating the scanner

Calibration sets the intensity of the lamps, which contribute to the overall quality of the scanned document image.

The scanner should be calibrated:

- at least once a day
- if image quality is poor
- after changing lamps

Calibrate the scanner using a calibration target (sheet of paper) that is:

- Blank
- Clean
- Matte finish (not glossy)
- White or the same color as the background color of the documents to be scanned. When using a duplex-defined application mode, make sure that both front and rear colors of the calibration target correspond with the front and rear colors of the documents to be scanned. If you are scanning a variety of colored documents, use a white calibration target.
- Wider than the documents you are going to scan (i.e., to scan 8.5 x 11 inch (216 x 279 mm) portrait orientation documents, the calibration target should be wider than 8.5 inches (216 mm). The recommended width for the calibration target is 12 inches (300 mm).

To scan 11 x 17-inch (280 x 432) documents, the calibration target should be wider than 11 inches (279 mm) but not wider than 12 inches (305 mm).

- Between 12 and 25.5 inches (305 and 648 mm) long.

For your convenience, 12 x 12-inch calibration targets (Part # 986527) are supplied with the scanner and are also available from Parts Services, 1 800 431-7278.

To calibrate the scanner:

1. Verify the power switch is on and a normal operating status display is displayed.
2. Press **CAL** on the control panel. A message will be displayed prompting you to feed the calibration target.
3. Insert the calibration target into the feeder.

When calibration is successful, the status display returns to a normal operating display.

Unsuccessful calibration If calibration is not successful, a message appears in the status display. You may need to:

- Verify you are using a clean, blank sheet of paper (at least 12 inches in length) as a calibration target. The paper must be wider than the documents being scanned and at least 8 1/2 inches long.
- Verify there is not a document already in the document path. (Refer to the section entitled, "Clearing the document path" in Chapter 7.)
- Clean the imaging guides. (Refer to the section entitled "Cleaning the imaging guides" in Chapter 5.)
- Calibrate the scanner again. If calibration fails again, change the lamps. (Refer to the section entitled, "Replacing the exposure lamps" in Chapter 5.)

If you have done all of the above and calibration still fails, contact your service representative.

Preparing documents for scanning

Before you begin processing documents, make certain the documents may be fed through the scanner easily:

- Remove any staples, rubber bands, loose mending tape, or paper clips from the documents to be processed.
- Straighten wrinkled edges and tape any torn documents.
- Trim ragged edges.

When using the semi-automatic feeder, make certain all documents are of similar size, texture, thickness and weight, and the leading edges of all documents are aligned.

Document orientation

Before scanning, position all documents the way you want them to be displayed on the host computer. Feed the documents so the text or graphic appears to be facing in the same direction.

Document sizes

The following document sizes can be scanned:

Length 2 ½ x 17 inches (64 x 432 mm). Documents between 17 and 30* inches (508 mm) long can be scanned by adjusting the exit hopper end stops.

Width 2 ½ x 12 inches (64 x 305 mm)

Minimum document thickness: onion skin (0.0015-inch / 0.04 mm)

Maximum document thickness: index card (0.014 inch / 0.36 mm)
index card (0.040 inch / 1.00 mm)

* when equipped with the *Kodak Digital Science Document Image Manager*.

Adjusting the feed and separator roller gap (semi-automatic feeder)

The gap adjustment knob on the control panel increases or decreases the space between the feed and separator rollers. The gap must be adjusted properly for smooth transportation of documents without document overlap.

When documents of different thicknesses are fed in a group, adjust the gap using the thinnest document in the group.

The feed and separator roller gap may have to be adjusted to compensate for:

- Very thin documents (onion skin, tracing paper, etc.).
- Very thick documents (card stock, punch cards, cover stock).
- Some coated documents (photographic paper, plastic-coated paper).

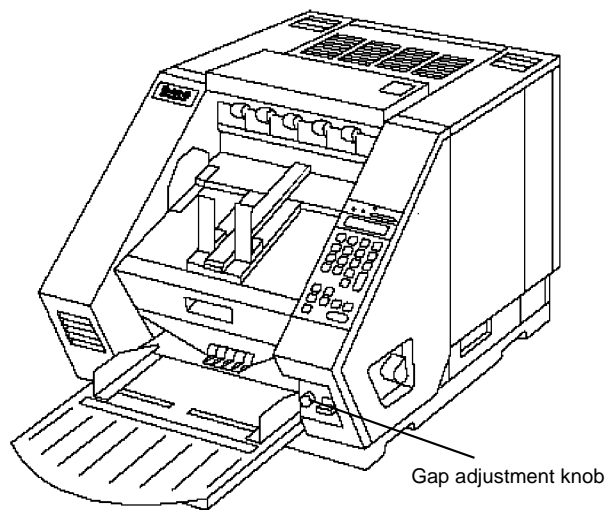
If the gap is not adjusted properly:

- More than one document at a time may be drawn into the transport system at the same time; not all of the documents will be scanned.
- Documents may be drawn into the transport too quickly; documents may overlap or be spaced too closely (causing an error display).
- Documents may become skewed during transport; jamming may occur.

NOTE: Prior to performing the adjustment procedure, the scanner must be calibrated and enabled.

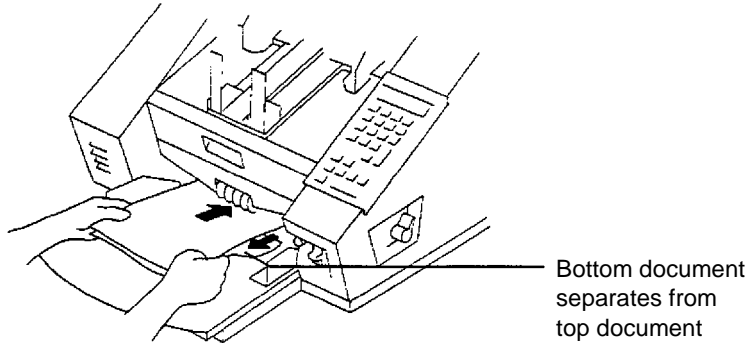
To adjust the feed and separator roller gap:

1. Verify that the power switch is on.
2. Turn the gap adjustment knob clockwise three complete turns to open the gap between the feed roller and separator roller.



3. Enter **F04** and enable Counting Only.

4. Press **Run**.
5. Select two documents of the same size, texture and thickness, similar to the types of documents you will be scanning.
6. Place one document on top of the other. Hold the documents firmly by their trailing edges. Insert them into the gap approximately 1/8 in. (3 mm).



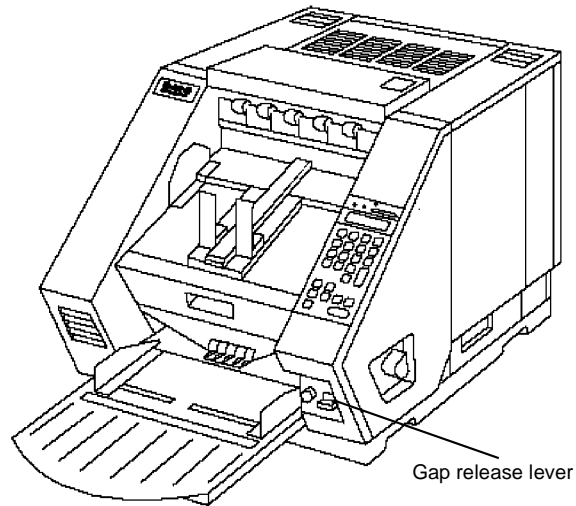
7. If the documents separate, repeat the following steps until the documents do not separate:
 - Turn the gap adjustment knob clockwise 1/2 turn.
 - Insert the documents again.If the documents do not separate, proceed with Step 8.
8. Rotate the gap adjustment knob counterclockwise 1 or 2 clicks.
IMPORTANT: Do not make a gap adjustment while documents are in the feeder or transport system; doing so will produce an inaccurate adjustment.
9. Hold the trailing edges of the documents firmly. Insert them into the gap.
 - If the bottom document is not separating from the top document, remove the documents and repeat Steps 7 and 8 until the bottom document separates from the top document by approximately 1 in. (25.4 mm).
 - If the bottom document is separating from the top document, proceed with Step 10.
10. When you have adjusted the gap so the bottom document separates consistently from the top document, rotate the gap adjustment knob counterclockwise another 1 or 2 clicks to complete the adjustment.
11. Feed a stack of 50 to 100 documents twice through the transport system. Verify the final count reflects the total number of documents fed and that the counter shows the same amount each time the documents are counted.

If the count is not the same, the gap is not adjusted correctly. Rotate the gap adjustment knob counterclockwise another 1 or 2 clicks and repeat Step 9. Repeat until corrected.

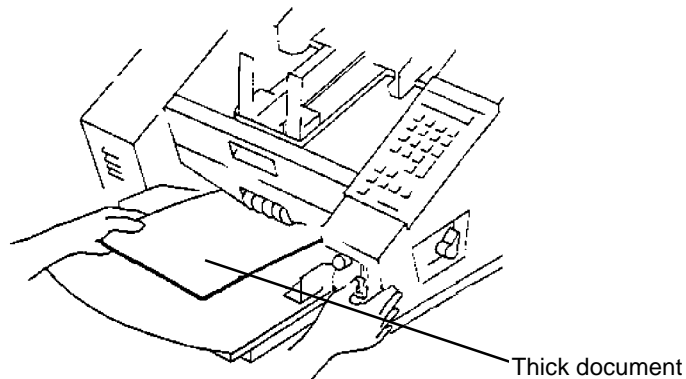
12. Press **Stop**.
13. Enter **F04** and disable Counting only.
14. Press **Enter**.

Adjusting the separator roller to scan thick documents

To scan thick documents (card or cover stock), use the gap release lever to increase the gap between the feed roller and separator roller.

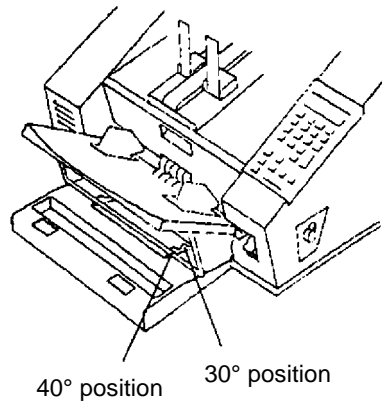


1. Press down and hold the gap release lever. This opens the gap between the feed and separator rollers and allows thick documents to pass between the rollers.
2. Manually feed the thick documents while holding down the gap release lever.



Adjusting the feed shelf position (semi-automatic feeder only)

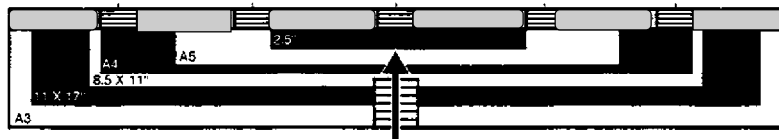
For manual feeding, the feed shelf can be adjusted in the 0°, 30° or 40° position. For automatic feeding, raise the feed shelf to the 30° or 40° position.



Adjusting the side guides

Before you begin feeding documents into the scanner, adjust the position of the side guides and feed shelf position.

- Adjust the width of the feed shelf side guides to hold the widest document you will be scanning. Leave approximately 1/16-inch (2 mm) clearance on each side of the largest document to allow for proper feeding.



NOTE: Ensure that the documents are center-fed so each document covers the 2 ½-inch required width as indicated by the label on the feed tray.

Adjusting the exit hopper side guides and end stop

The exit hopper side guides and end stop must be adjusted so documents are stacked properly.

1. Adjust the exit hopper side guides to hold the widest document you will be scanning. Leave ¼-inch (5 mm) clearance on each side of the document.
2. Adjust the end stop to hold the longest document you will be scanning.

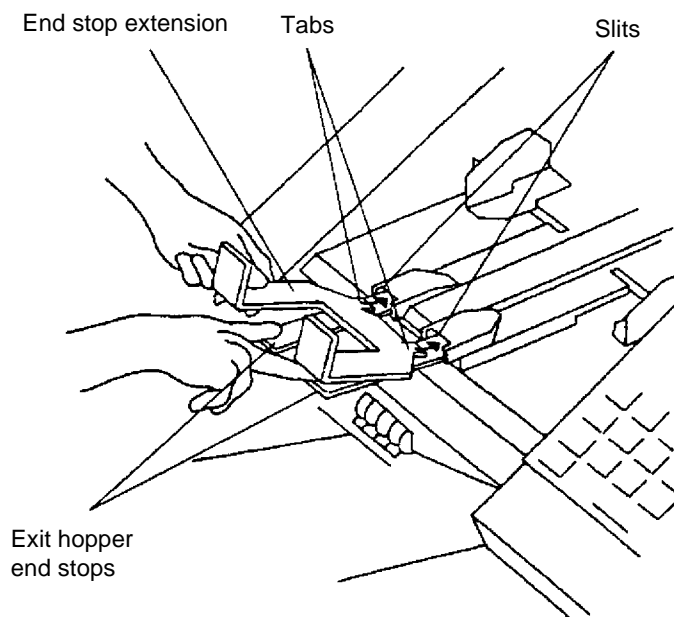
An end stop extension is included to accommodate documents up to 17 inches in length.

To attach the end stop extension:

- Fold the spring-loaded exit hopper end stop down and slide the extension's tabs into the slits just above the exit hopper end stop.

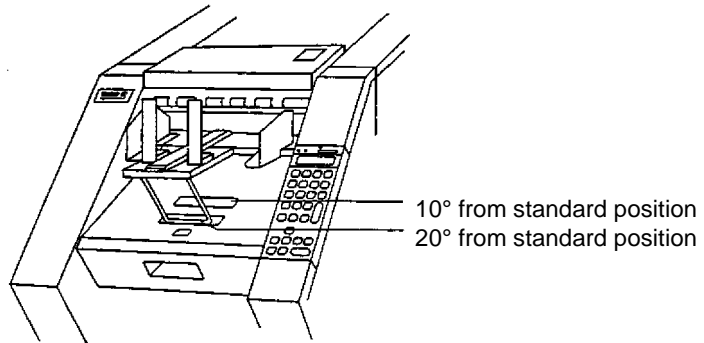
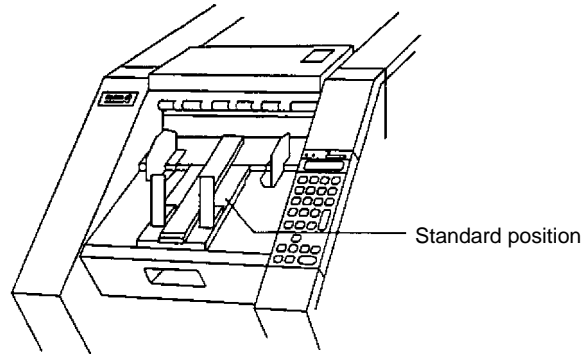
To remove the end stop extension:

- Press the spring-loaded exit hopper end stop and pull the extension out from the exit hopper.



3. Adjust the height of the exit hopper so the scanned documents naturally fall between the exit hopper side guides and exit hopper end stop. The exit hopper has three height positions:

- Standard position
- 10° from standard position
- 20° from standard position (specifically for use with A4 size, onion skin documents)



3 Operating the Scanner

Overview

This chapter provides instructions for selecting modes, image level settings and feeding documents using the semi-automatic feeder and the automatic feeder.

The scanning process consists of the following steps:

1. Prepare the scanner for operation (refer to Chapter 2, *Getting Started* for more information).
2. Select an application mode for the application.
3. Select the appropriate operating values required for the application on the host computer.
4. Press the **Run** key.
5. Feed documents into the transport (refer to “Feeding Documents using the semi-automatic (or automatic) feeder” later in this chapter).
 - The scanner assigns a sequential ID number, the document image level and image address.
 - The document is scanned.
 - The document image header is created.
 - The host computer initiates transfer of the document image header and document image to the host system for storage on magnetic or optical disk media.
 - Documents are deposited in the exit hopper, face down, in the order in which they were fed into the transport.
6. Press **Stop** to disable the transport after the last document has been scanned or press **End** to alert the host computer that the batch or job has ended.

NOTE: If **Stop** or **End** is pressed while scanning a stack of documents, the feeder will stop. Any documents in the transport system will be scanned and deposited face down in the exit tray before the transport system is disabled.

Setting image levels

Image levels are used to identify specific types of documents (or sets of documents) for later indexing and retrieval. The image level assigned to each document is inserted into the image header associated with the document image.

There are four document image levels:

- Level 0
- Level 1
- Level 2
- Level 3

Setting Levels

Levels 1, 2, and 3 can be set by pressing a document Image Level key on the control panel, or by using the optional Footswitch or Patch Reader accessories.

Level 0 can be set by entering function code **F07**.

Selecting a mode

The scanner offers 18 modes that may be programmed for a particular application or group of applications.

When you select a mode for use with a particular application, you are selecting the format/appearance of the output. Each mode is composed of definitions that affect the output of the scanner. The required mode definitions include language display, measurement format, index format, image address rules, level rules, accessory status, etc.

The modes are programmed at the time of installation and stored for easy access and use.

Many of the optional mode definitions set up during installation may be overridden using function codes. The overrides are temporary, unless it is specified during installation that the mode overrides are to be saved.

Detailed information regarding application modes, can be found in Kodak publication, A-61097, *Mode Setup Software*.

Typically, the mode is selected via the host system, using a scanner-unique command. However, you may manually select a mode.

To select a mode do the following:

1. Enter function code **F01** (Select Mode) by pressing the **F** key and the numeric keys **0** and **1**.
2. Press **Enter**.
3. Enter the desired mode number (modes range from 1 to 18).
4. Press **Enter**.

Temporary operating values

Each of the 18 modes programmed at the time of installation contain definitions that affect the output of the scanner. Each mode is programmed to conform to the output requirements of a particular application or group of applications.

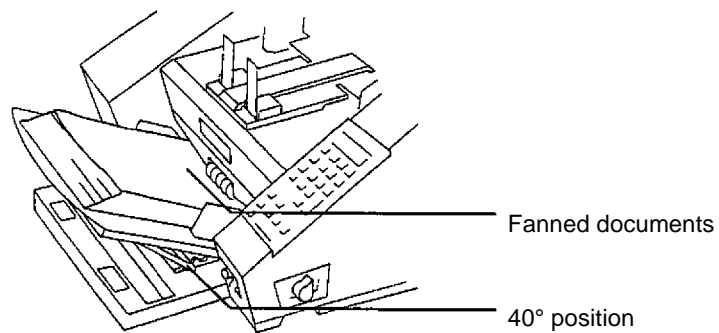
There may be instances, however, when a particular application requires some variation of an existing mode. In such instances, mode definitions may be changed using available function codes. See Chapter 4, *Function Codes*, for a listing and description of the available function codes.

NOTE: Changes to mode definitions remain in effect until another mode is selected or the side panel switch is turned off. The original mode definition is only affected by these changes if the mode overrides are saved (the mode override option may be selected at installation and if selected, a plus sign (+) appears in the first line of the status display).

Feeding documents using the semi-automatic feeder

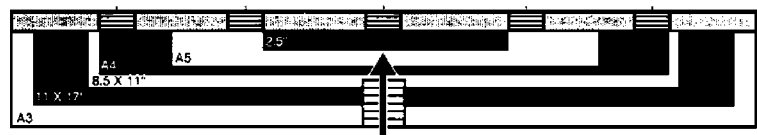
Following are feeder instructions using the semi-automatic feeder. After the scanner has been prepared for operation, the desired mode and any temporary operating values have been defined, you are ready to feed documents into the transport.

4. Verify that the power is on and that all of the proper adjustments have been made (feeder side guides, exit hopper side guides, etc.).
5. Place the feed shelf in the Up position.
6. Select a stack of documents that is no more than 1.5 in. (38 mm) thick. Hold the stack with the front sides facing up and the top of the documents facing toward the scanner. Tap the bottom edge of the stack against a flat surface so the documents are in an even bundle.
7. Fan the stack of documents so the leading edge of the top document sticks out the farthest.



8. Press **Run**.
9. Place the stack of fanned documents into the feeder so the leading edge of the top document contacts the feed/separator rollers. The documents are drawn into the transport, with the top document being fed first. The documents are deposited in the exit hopper face down, in the order in which they were fed into the transport.

NOTE: Be sure the documents are center-fed so each document covers the 2 ½-inch required width as indicated by the label on the feed tray.



Each document should automatically go into the feeder. If the automatic flow is inhibited, gently push the top document toward the feeder to re-establish automatic feeding.

7. As you scan documents, set the image level, as required, and periodically remove documents from the exit hopper.

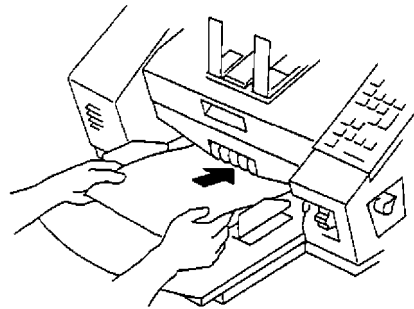
NOTE: When the image buffer is full, the feeder will turn off and the image buffer status light will turn red. There may be a momentary pause in scanning while images are being transferred to the host computer. Scanning will resume and the status indicator will change to green when the image buffer is clear.

8. Press **Stop** to disable the transport system after the last document has been scanned, or press **End** to alert the host computer the batch or job has ended and to disable the transport system after the last document has been scanned.

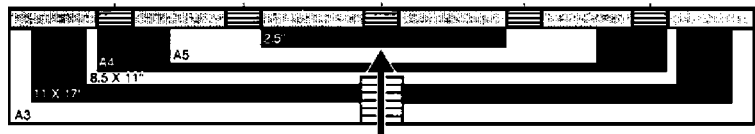
Feeding documents manually

To manually feed documents, follow the steps below:

1. Select the correct scanning operating values.
2. Place the feed shelf in the up or down position (semi-automatic feeder only), whichever is most convenient.
3. Insert the documents one at a time.

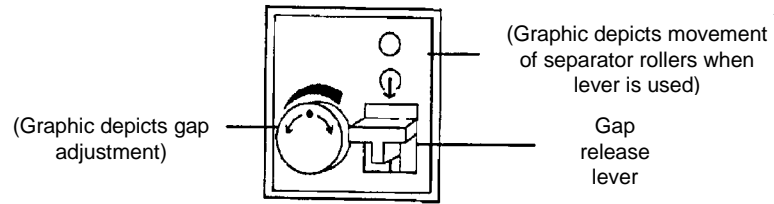


NOTE: Be sure the documents are center-fed so each document covers the 2 ½-inch required width as indicated by the label on the feed tray.



Feeding thick documents

The gap release lever is used to feed thick documents such as card stock or cover stock. The lever is located on the front panel of the scanner next to the gap adjustment knob.



To feed thick documents using the gap release lever:

1. Press down and hold the gap release lever; this opens the gap between the feed and separator rollers allowing thick documents to pass between them. You will be able to see the gap open as the lever is pushed down.
2. Insert the thick document past the rollers until it is taken into the transport system.

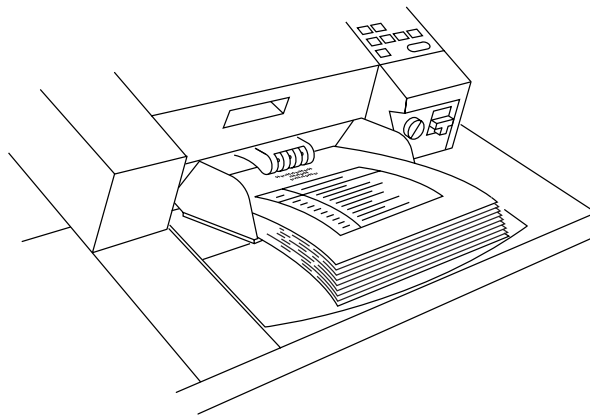
NOTE: If more than one thick document is to be scanned, feed them into the transport one at a time.

3. After the thick document(s) have been scanned, release the gap release lever; it will return to its original position. The feed and separator rollers will return to their previously adjusted positions.

Feeding documents using the automatic feeder

Following are document feeder instructing using the automatic feeder. After the scanner has been prepared for operation, the desired mode and any temporary operating values have been defined, you are ready to feed documents into the transport.

1. Verify that the power is on and that all of the proper adjustments have been made (feeder side guides, exit hopper side guides, etc.).
2. Select a stack of documents that is no more than 1.5 in. (38 mm) thick. Hold the stack with the front sides facing up and the top of the documents facing toward the scanner. Tap the top edge of the stack against a flat surface so the documents are in an even bundle.
3. Fan the stack of documents so the leading edge of the top document sticks out the farthest.



4. Lift the feeder module and slide the top edge of the documents underneath the feeder module. To help prevent multiple feeds, after you place the documents under the feeder module, pull the documents back slightly (about ¼-inch) from the separator roller.

5. Press **Run**.

NOTE: Be sure the documents are center-fed so each document covers the 3 ½-inch required width.

6. As you scan documents, set the image level, as required, and periodically remove documents from the exit hopper.

NOTE: When the image buffer is full, the feeder will turn off and the image buffer status light will turn red. There may be a momentary pause in scanning while images are being transferred to the host computer. Scanning will resume and the status indicator will change to green when the image buffer is clear.

7. Repeat Steps 2 through 4 until all the application documents have been fed into the transport.
8. Press **Stop** to disable the transport system after the last document has been scanned, or press **End** to alert the host computer the batch or job has ended and to disable the transport system after the last document has been scanned.

4 Function Codes

Using function codes

There are a variety of functions available which may be used to temporarily change operating values, and to obtain system and accessory status information.

These functions are listed in the Function Code Summary later in this chapter. Following are the procedures for using function codes:

1. Press the **F** key.
2. Press the numeric keys which correspond to the desired function code.
3. Press **Enter**.

If the function is used to enable or disable an operation (turn an option on or off):

1. Press **1** to turn the option On, or **0** to turn the option Off.
2. Press **Enter**.

If the function requires numeric input:

1. Press the numeric key(s) required.
2. Press **Enter**.

If the function is used to increment or decrement a measurement:

1. Press the arrow keys to increment or decrement as follows:
 - Press the **Up** arrow to increment the measurement by 1 inch (25 mm), or
 - Press the **Down** arrow to decrement the measurement by 1 inch (25 mm), or
 - Press the **Right** arrow to increment the measurement by 1/8-inch (3 mm), or
 - Press the **Left** arrow to decrement the measurement by 1/8-inch (3 mm).
2. Press **Enter**.

To cancel a function (before pressing **Enter**) or clear the status display after executing a function code:

- Press **C** (Clear/Cancel).

Function code summary

Following is a summary of the functions and their corresponding function code:

Application Modes

Select Application Mode.....	F01
Restore Application Mode	F02

Index/Image Address

Level 0	F07
Last Image Address	F08

Status

Accessory Status	F05
Transport System Operation Time	F17
Date and Time	F23

Counters

Count Only.....	F04
Total Document Count	F09
Level 0 Count.....	F10
Level 1 Count.....	F11
Level 2 Count.....	F12
Level 3 Count.....	F13
Reset Level Counts.....	F14

Setup

Display Language	F19
Measurement System	F20
Set Time	F21
Set Date	F22

Controls

Length Monitor	F70
Omit Length Monitor on Next Document	F71
Skew Monitor	F72

Host

Latch Flag	F73
Momentary Flag	F74

Patch Reader

Patch Reader	F50
Confirmation Tone.....	F53
Omit Patch Reading on Next Document.....	F54
Patch Test.....	F55

Bar Code Reader

Bar Code Reader F60
Confirmation Tone..... F63
Omit Patch Reading on Next Document..... F64
Bar Code Test F65

Document Printers

Front and Rear Document Printers F40
Front Document Printer F41
Rear Document Printer F42
Omit Printing on Next Document..... F44
Print Test..... F45
Vertical Start Print Position (Front) F46
Vertical Start Print Position (Rear)..... F47
Purge Print Head F48

Footswitch

Confirmation Tone..... F75

Function code listing

Following is a listing of the function codes and descriptions.

Code	Function Code Name	Description
F01	Select Mode	Allows you to select one of the predefined application modes. Enter a value from 1 to 18 and press Enter .
F02	Restore Mode	Allows you to restore the current application mode to its default status, provided mode overrides are not saved.
F04	Counting Only	Allows you to count the number of documents entering the scanner without scanning. Enter 1 to turn Counting Only on, or 0 to turn Counting Only off and press Enter .
F05	Accessory Status	Displays the current status of each accessory installed. Press the Down arrow to view the status of the next accessory, or press the Up arrow to view the status of the previous accessory.
F07	Level 0	Allows you to define the next document scanned as a Level 0 document.
F08	Last Image Address	Allows you to display the image address of the last document scanned.
F09	Total Document Count	Allows you to display the total number of documents that entered the feeder (Level 3, Level 2, Level 1 or Level 0). Press 0 to reset the counter and then press Enter .
F10	Level 0 Count	Allows you to display the total number of documents that have entered the feeder as Level 0 documents. Press 0 to reset the counter and then press Enter .
F11	Level 1 Count	Allows you to display the total number of documents that have entered the feeder as Level 1 documents. Press 0 to reset the counter and then press Enter .
F12	Level 2 Count	Allows you to display the total number of documents that have entered the feeder as Level 2 documents. Press 0 to reset the counter and then press Enter .
F13	Level 3 Count	Allows you to display the total number of documents that have entered the feeder as Level 3 documents. Press 0 to reset the counter and then press Enter .
F14	Reset Level Counts	Allows you to reset all the level counters (Level 0, Level 1, Level 2, and Level 3) to 0.

Code	Function Code Name	Description
F16	Alarm Tone	Allows you to adjust the pitch of the alarm tone. Press the Up arrow to increase the pitch or press the Down arrow to decrease the pitch, then press Enter .
F17	Transport System Operation Time	Allows you to display the elapsed time of operation of the transport system. This time is recorded in the software and will be reset if a ROM replacement is performed. Therefore, the software time displayed and the time displayed inside the side access door can vary.
F19	Display Language	Allows you to choose your preferred language. The options are: 0 = English 1 = Japanese 2 = French 3 = German
F20	Measurement System	Allows you to choose your preferred measurement system. The options are: 0 = millimeters 1 = inches
F21	Set Time	Allows you to set the time on the status display. The format is HH:MM. HH represents the hours (on a 24-hour clock) and MM represents the minutes (valid values are 00 to 59). Enter the new time in the format illustrated and press Enter .
F22	Set Date	Allows you to set the date on the status display. The format is YYYY/MM/DD. YYYY represents the year, MM represents the month (valid values are 01 to 12), and DD represents the day (valid values are 01 to 31). Enter the new date in the format illustrated and press Enter .
F23	Time and Date Display	Allows you to view the current time and date.
F40	Front and Rear Document Printers On/Off	Allows you to turn the Front and Rear Document Printers on or off. Enter 1 to turn on or 0 to turn off.
F41	Front Document Printer On/Off	Allows you to turn the Front Document Printer on or off. Enter 1 to turn on or 0 to turn off.
F42	Rear Document Printer On/Off	Allows you to turn the Rear Document Printer on or off. Enter 1 to turn on or 0 to turn off.
F44	Omit Printing on the Next Document Only	Allows you to specify no information be printed on the next document scanned. Printing will resume on subsequent documents. Enter 1 to omit printing on the next document, or enter 0 to print on the next document then press Enter .

Code	Function Code Name	Description
F46	Front Document Printer Vertical Start Print Position	Allows you to specify how far from the leading edge of the document printed information will appear. Use the numeric keys to input values between 0.125 and 20 inches (3 to 508 mm) in increments of 0.125 (3mm). The value will correspond to the selected measurement system and should not exceed the document length. The horizontal start print position is changed manually.
F47	Rear Document Printer Vertical Start Print Position	Allows you to specify how far from the leading edge of the document printed information will appear. Use the numeric keys to input values between 0.125 and 20 inches (3 to 508 mm) in increments of 0.125 (3mm). The value will correspond to the selected measurement system and should not exceed the document length. The horizontal start print position is changed manually.
F48	Purge Print Heads	Allows you to purge and clean slightly hardened ink from the print head of the document printers. Feed a single blank document after the feed clutch engages.
F50	Patch Reader On/Off	Allows you to turn the Patch Reader on or off. Enter 1 to turn on or 0 to turn off, then press Enter .
F53	Patch Reader Confirmation Tone On/Off	Allows you to turn the confirmation tone on or off which informs you when the Patch Reader has successfully read a patch document. Enter 1 to turn on or 0 to turn off, then press Enter .
F54	Omit Patch Reading on Next Document On/Off	Allows you to omit patch reading on the next document scanned. Normal patch reading resumes with subsequent documents. Enter 1 to turn on or 0 to turn off, then press Enter .
F55	Patch Test	Allows you to test for patch position and patch quality. The test result will indicate: T-Patch, 2-Patch, 3-Patch or Patch Not Read.
F60	Bar Code Reader On/Off	Allows you to turn bar code reading on or off. Enter 1 to turn on or 0 to turn off and then press Enter .
F63	Bar Code Reader Confirmation Tone	Allows you to turn the confirmation tone on or off which informs you when the Bar Code Reader has successfully read a bar code document. Enter 1 to turn on or 0 to turn off and then press Enter .
F64	Omit Bar Code Reading on the Next Document Only	Allows you to omit bar code reading on the next document scanned. Bar Code Reading will resume on subsequent documents. Enter 1 to turn on or 0 to turn off, then press Enter .
F65	Bar Code Test	Allows you to perform a test to verify bar code position, bar code quality and bar code read rate.

Code	Function Code Name	Description
F70	Length Monitor On/Off	Allows you to turn the length monitor on or off. The length monitor checks the length of the documents scanned against the predefined minimum/maximum allowable lengths. Messages and/or confirmation tones alert you if the document is shorter or longer than the predefined length.
F71	Omit Length Monitor on the Next Document Only	Allows you to omit length checking on the next document scanned. Length monitoring will resume on subsequent documents. Enter 1 to turn on or 0 to turn off, then press Enter .
F72	Skew Monitor	Allows you to turn skew detection on or off which monitors the amount of skew using predefined skew angle(s).
F73	Latched Flag On/Off	Allows you to set a flag in the image headers which alerts the host system that this document, and those which follow, are of special interest. The flag will remain activated for every document until it is turned off. Enter 1 to turn on or 0 to turn off, then press Enter .
F74	Momentary Flag	Allows you to set a flag in the image header which alerts the host system that this document is of special interest. This flag is set only for that one document. Enter 1 to turn the momentary scanning flag on, then press Enter .
F75	Footswitch Confirmation Tone	Allows you to turn the confirmation tone on or off which informs you when the Footswitch is pressed and/or released. Enter 1 to turn on or 0 to turn off, then press Enter .

5 Maintenance

This chapter provides maintenance procedures for the scanner including cleaning and part replacement procedures.

Cleaning tasks

To keep your scanner in good operating condition, the following tasks must be performed periodically:

- Cleaning the imaging guides (daily)
- Cleaning the feed and separator roller (semi-automatic feeder) (daily)
- Cleaning the feeder module and separator roller (automatic feeder) (daily)
- Cleaning the paper path (daily)
- Vacuuming inside the scanner (weekly)
- Cleaning the cabinet (weekly)

For additional maintenance and feeder adjustment information, see Kodak publication A-61603. Feeder and Maintenance Adjustment Procedures.

Cleaning materials

Materials needed to perform all maintenance procedures are:

- A mild cleaning agent
- A soft, clean, lint-free cloth
- A soft-bristled cleaning brush
- A vacuum cleaner
- Staticide Wipes
- Paper Path Cleaner

IMPORTANT: *Do not use any unauthorized commercial cleaning solvent in any of the cleaning procedures.*

Replacement parts

Consumable parts that can be replaced by the customer include:

- Imaging guides
- Exposure lamps
- Automatic Document Feeder Module
- Automatic Document Feeder Separator Roller

Instructions on how to replace these parts are included later in this chapter.

Daily maintenance procedures

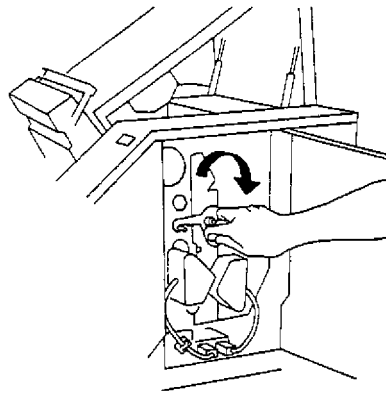
Maintenance procedures that should be performed daily include cleaning the imaging guides, feed and separator rollers and the paper path.

Cleaning the imaging guides

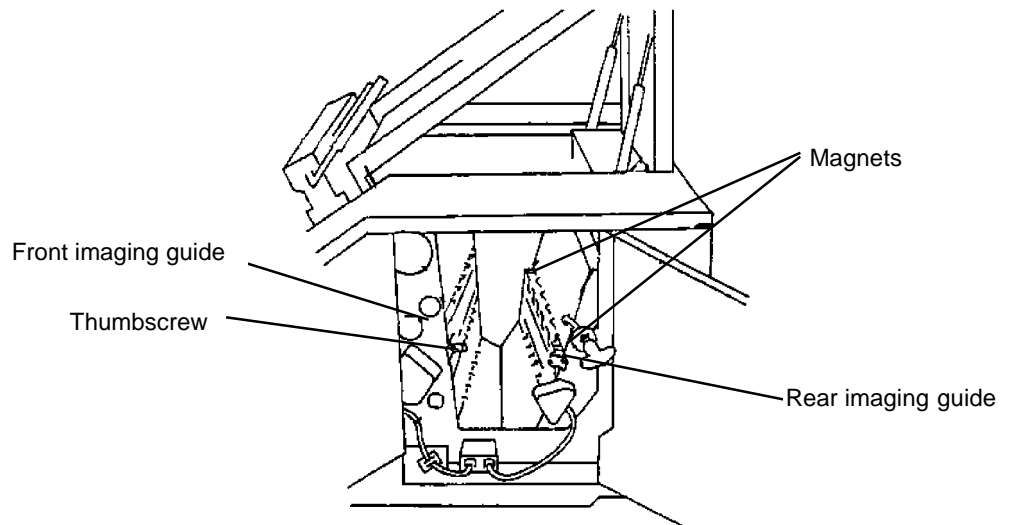
To clean the imaging guides, follow the steps below:

IMPORTANT: *Do not use any abrasive materials when cleaning the imaging guides. This includes abrasive cleansers, commercial solvents, paper towels, or coarse cloths.*

1. Open the side access door.
2. Release and open the vertical transport plate by rotating the release handle 180° clockwise.

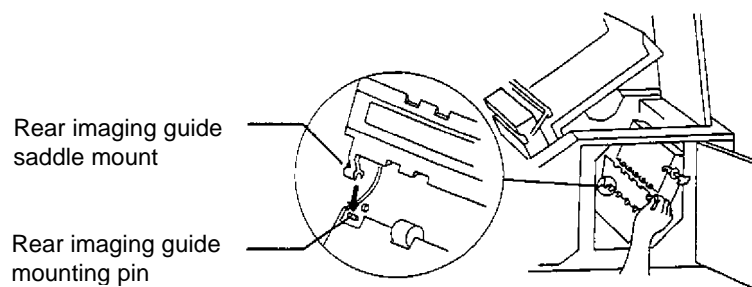


3. Release and remove the front imaging guide by rotating the thumbscrew 90° counterclockwise, and lifting the guide's two green saddle mounts from the mounting shaft.



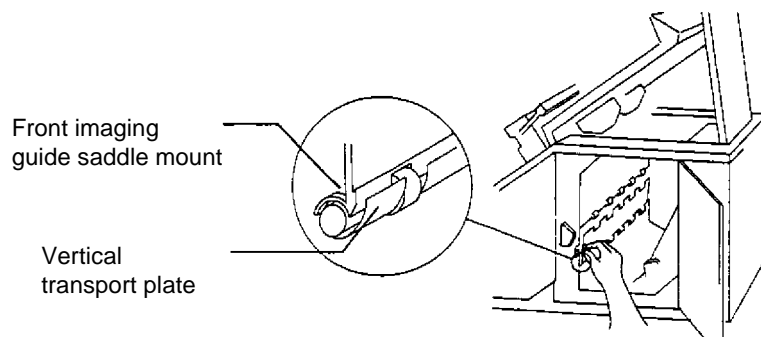
4. Release and remove the rear imaging guide by swinging the guide toward the front of the scanner (to release it from the two magnets), and lifting it from the scanner's two mounting pins.
5. Clean the surfaces of both the front and rear imaging guides with an antistatic wiper or a clean, soft, lint-free cloth, slightly moistened with water or lens cleaner.
6. Dry the imaging guides with a dry, lint-free cloth.
7. Hold the rear imaging guide by the edges and carefully set it back into the scanner by seating it on the mounting pins. Swing the guide toward the rear of the scanner to fix it to the two magnets.

NOTE: Look through the upper access door and side access door to make sure the imaging guide is mounted correctly. There are two sets of pins. Make sure the guide is seated on the small, lower set of pins. When the rear imaging guide is seated correctly, the top of the guide will sit approximately a ½-inch (10 mm) from the vertical transport plate. The rear imaging guide will become flush with the plate when the plate is closed.

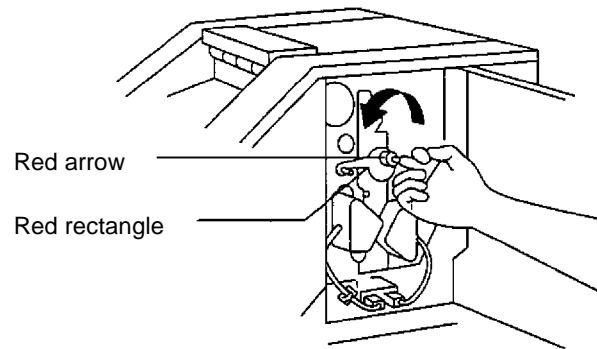


8. Hold the front imaging guide by the edges and carefully set it back into the scanner by seating the guide's two green saddle mounts on to the mounting shaft, and rotating the front imaging guide thumbscrew 90° clockwise.

NOTE: Look through the upper access door and side access door to make sure the imaging guide is mounted correctly. The bottom of the front imaging guide must be seated just inside the vertical transport plate. The front imaging guide could be damaged if it is seated incorrectly when the vertical transport plate is closed.



- Swing the vertical transport plate closed and rotate the release handle 180° counterclockwise (so the red arrow aligns with the red rectangle) to latch the plate.



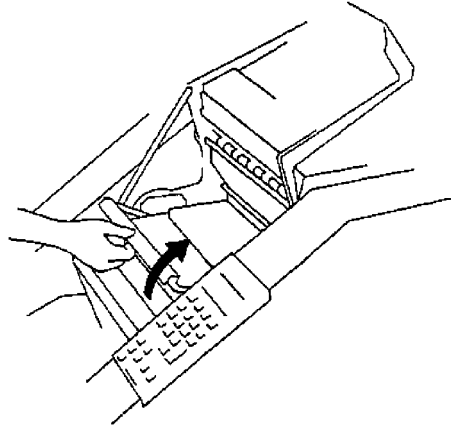
- Close the side access door.
- Release and lower the horizontal transport plate back into its original position.
- Lower the release bar and latch the front scan module into its original position.
- Close the lower access door.
- Close the upper access door.

Cleaning the feed and separator rollers (semi-automatic feeder)

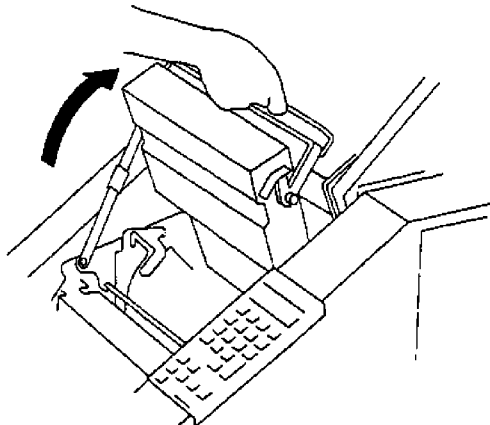
Clean the feed and separator rollers daily to prevent ink, toner, and dust from collecting on the rollers and preventing documents from separating.

1. Lift open the lower access door.

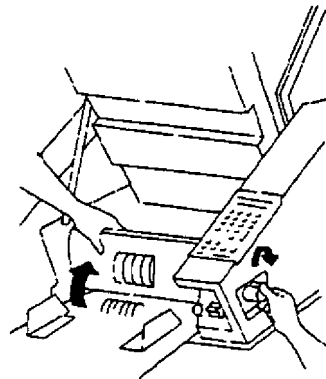
CAUTION: Open and close the doors slowly.



2. Lift the release bar to raise the front scan module.

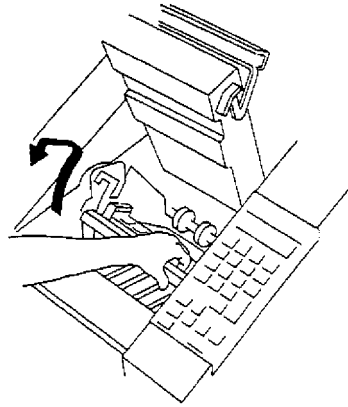


3. Rotate the feed roller cover release lever downward while rotating the feed roller cover to expose the rollers. Do not attempt to remove the assembly.

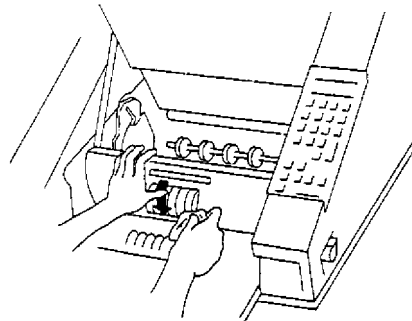


4. Lift up and latch the horizontal transport plate into its open position.

NOTE: If the Patch Reader accessory is installed, it must be removed from the mounting plate in order to lift up the horizontal transport plate.



5. Rotate the feed roller downward and clean with a water-moistened cloth. Continue cleaning until all residue is removed from the roller ribs.



6. Clean the surface of the feed roller assembly with a dry cloth.
7. Clean the separator roller with a dry cloth.

IMPORTANT: *You can only rotate the separator roller outward (toward you). Do not try to rotate it in the opposite direction or you could damage the separator roller assembly.*

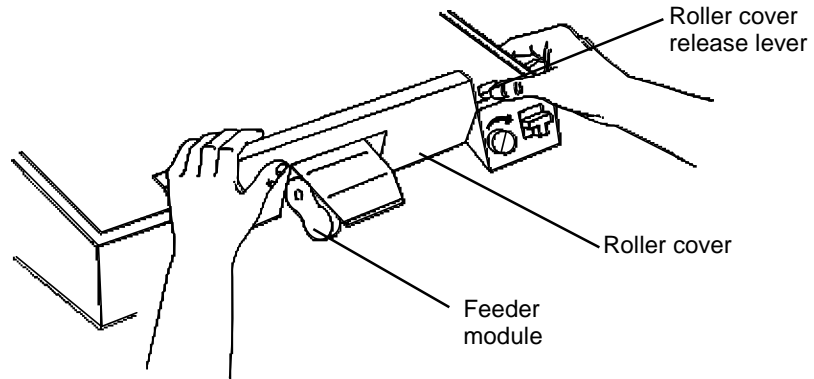
8. Dry all cleaned areas with a dry, lint-free cloth.
9. Rotate the feed roller cover down to its original position.
10. Lower the release bar and latch the front scan module in its original position.
11. Close the lower access door.

Cleaning the feeder module and separator roller (automatic feeder)

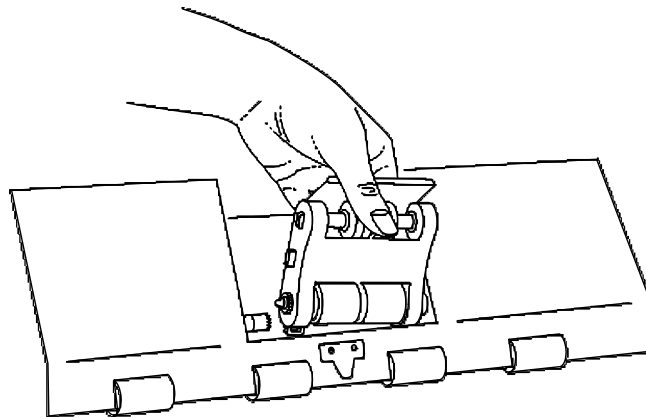
Clean the feeder module and separator roller daily to prevent ink, toner, and dust from collecting on the rollers and preventing documents from separating.

To clean the feeder module and separator roller:

1. Open the front cover.
2. Push the roller cover release lever toward the back of the machine.
3. Grasp and rotate the roller cover toward the back of the machine, exposing the feeder module and separator roller.

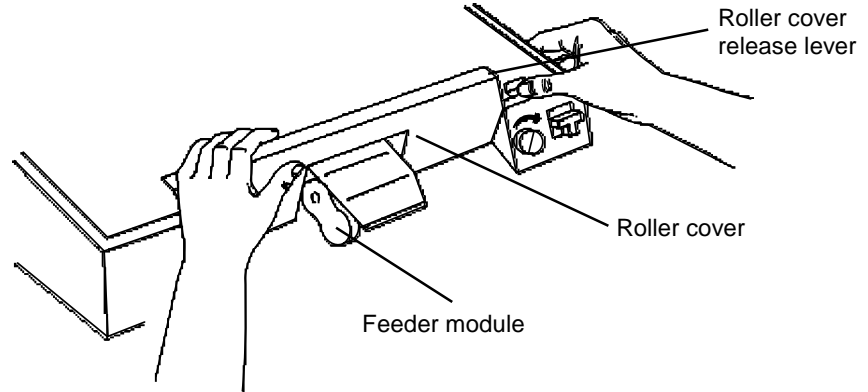


4. Remove the feeder module by pushing it to the right and lifting it out of its position.
5. Clean both rollers of the feeder module.
6. Replace the feeder module, by aligning the pins and fitting it into position.

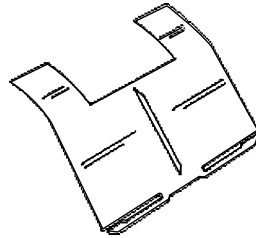


Cleaning the separator roller:

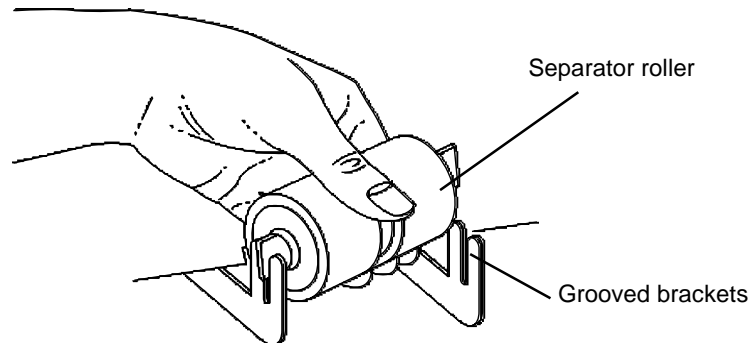
1. Open the front cover.
2. Push the roller cover release lever toward the back of the machine.
3. Grasp and rotate the roller cover toward the back of the machine, exposing the feeder module and separator roller.



4. Lift and remove the separator roller cover plate.



5. Lift the separator roller out of the grooved brackets.



6. Clean the separator roller.
7. Replace the separator roller by aligning the pins in the grooved brackets.
8. Reinsert the separator roller cover plate.
9. Close the feeder cover.
10. Close the front door.

Cleaning the paper path

NOTE: Before doing the following procedure, clean the machine thoroughly and use the roller cleaning pads to clean the feed and separator rollers — start with a clean machine.

Use the Paper Path Cleaning sheet to clean the paper path rollers. Periodically feed a cleaning sheet with the gum side up through the machine in both the portrait and landscape orientation.

Regular use of Paper Path Cleaning sheets may result in fewer major cleanings with the roller cleaning pads.

The paper path should be cleaned daily. Before you clean the paper path, be sure the feed and separator rollers and imaging guides have been cleaned.

To clean the paper path:

1. To ensure complete coverage of the transport rollers, feed the cleaning sheet in the center, and to the left and right of the feeder document guides.
2. Repeat the procedure until no further residue is picked up by the cleaning sheet.
3. Using a clean Paper Path Cleaner sheet, repeat Step 1 to verify that the rollers are clean.
4. Turn the gum side down, and repeat Steps 1 through 3.

NOTE: When the gum side is down, it may be necessary to hold down the gap release lever to allow the Paper Path Cleaner sheet to feed past the separator roller.

NOTE: If there are feeder errors after cleaning the feed and separator rollers, refer to the section entitled “Adjusting the feed and separator roller gap”, in Chapter 2.

Weekly maintenance procedures

Maintenance procedures that should be performed weekly are vacuuming the inside of the scanner and cleaning the cabinet.

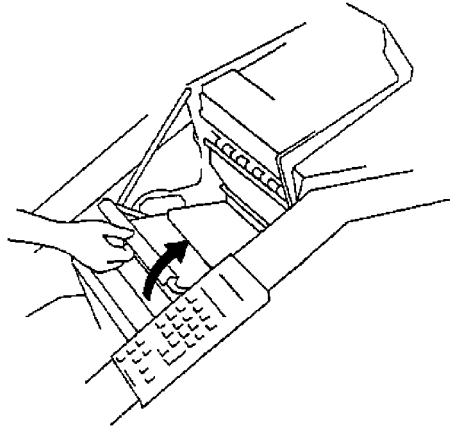
Vacuuuming inside the scanner

Vacuum the inside of the scanner weekly or as required to remove any dust or debris.

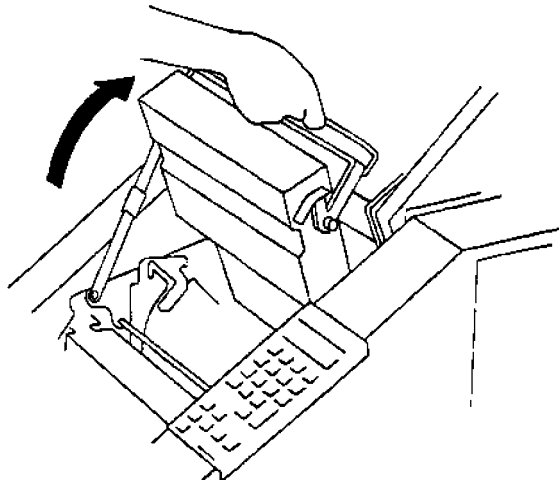
Vacuuuming the horizontal transport area

1. Turn the power off.
2. Lift open the lower access door.

CAUTION: Open and close the doors slowly.

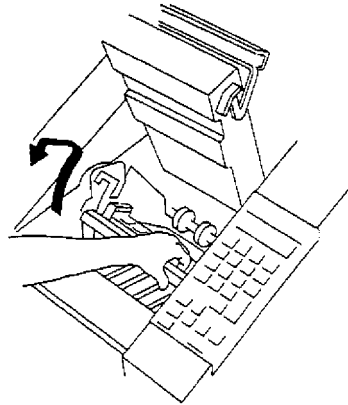


3. Lift the release bar to raise the front scan module.



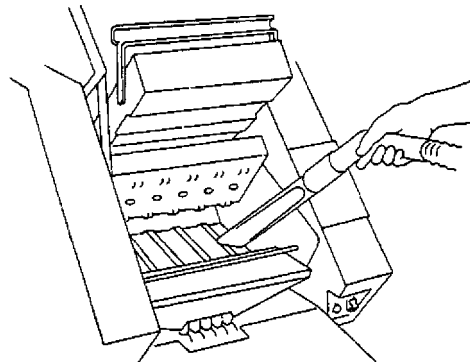
4. Lift up and latch the horizontal transport plate into its open position.

NOTE: If the Patch Reader accessory is installed, it must be removed from the mounting plate in order to lift up the horizontal transport plate.



5. Vacuum the lower belt module and transport belts.

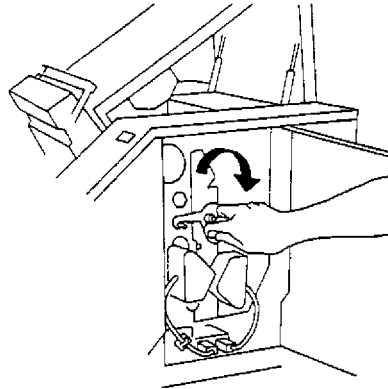
WARNING: *Do not make contact with any electrical components when vacuuming inside the scanner.*



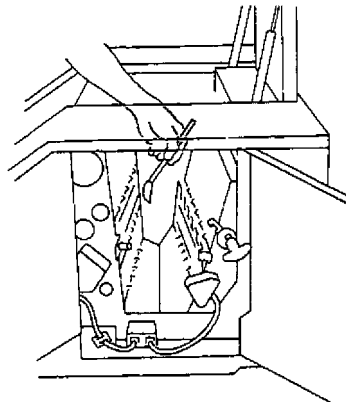
6. Release and lower the horizontal transport plate back into its original position.
7. Lower the release bar and latch the front scan module into its original position.
8. Close the lower access door.

Vacuuming inside the side access door

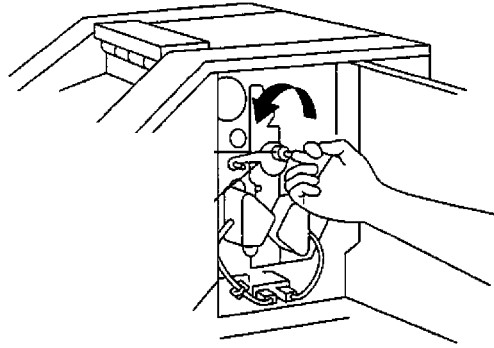
1. Turn the power off.
2. Open the side access door.
3. Open the upper access door.
4. Release and open the vertical transport plate by rotating the release handle 180° clockwise.



5. Use a natural bristle cleaning brush to remove debris from inside the transport system.

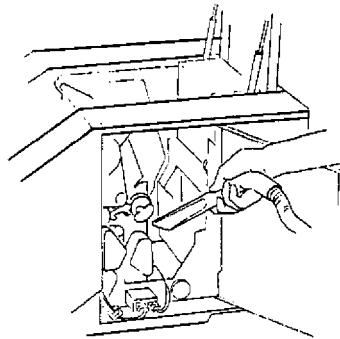


6. Swing the vertical transport plate closed and rotate the release handle 180° counterclockwise.



7. Vacuum the side access door area.

WARNING: *Do not make contact with any electrical components when vacuuming inside the scanner.*



8. Close the upper access door and side access doors.

Cleaning the cabinet

Clean the exterior of the scanner, the feed shelf, and exit hopper with a soft cloth. Remove any fingerprints, stains, or stubborn dirt with a cloth dampened with water or a mild cleaning agent.

Replacement procedures

Replacement procedures should be performed on an as-needed basis. Components that need periodic replacement include the exposure lamps and imaging guides.

Changing the lamps

The exposure system consists of two special, long-life fluorescent lamps. The lamps slide in and out of the scanner for easy lamp replacement:

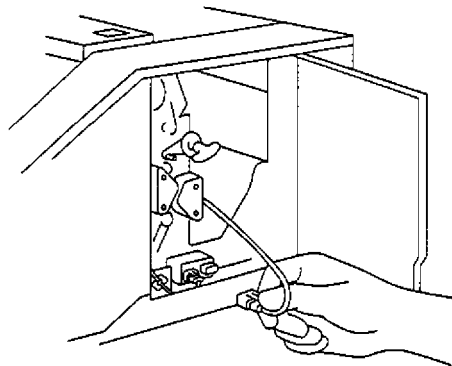
- Always replace both lamps at the same time. If both lamps are not replaced, exposures may not be acceptable.
- Use recommended lamps only. Other lamps may result in unacceptable image quality.

Change the lamps every 500 hours, when required for error recovery, or when image quality is poor.

WARNING: *Make sure the lamps are cool before attempting to remove them from the lamp socket holder.*

To change the lamps:

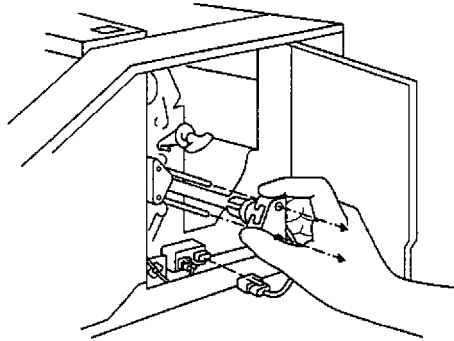
1. Turn the power switch off.
2. Open the side access door.
3. Release the rear lamp cable connector from the scanner electrical system.



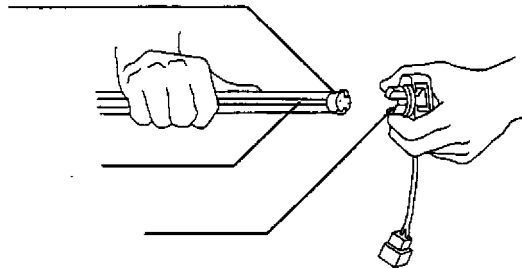
4. Pull the green rear lamp socket holder out from the scanner frame. Be sure to pull the lamp socket holder straight out along its axis.

WARNING: *Even though you can always handle the green lamp socket holder, the lamp may be very hot. Do not remove the lamp or the lamp socket holder until the lamp has cooled.*

NOTE: If the lamp socket holder pulls off from the lamp when removing the lamp and socket from the scanner, remove the lamp by grasping the lamp at the end, once it has cooled.



5. Once the lamp has cooled, remove the lamp from the lamp socket holder by carefully pulling the lamp straight out along its axis.



6. Replace the lamp, making sure that the clear slit on the lamp faces toward the document path. In the case of the rear lamp, the clear slit should face toward the front.

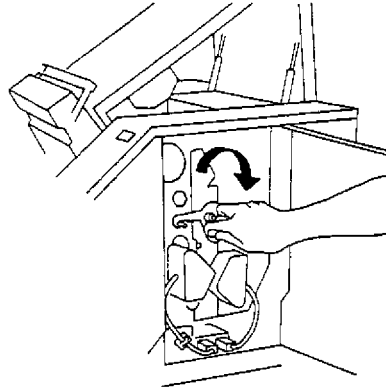
CAUTION: Lamps are fragile. Do not force the lamp into place.

7. Carefully insert the green rear lamp sock holder and rear lamp into the scanner frame. Be sure to insert the lamp socket holder straight in along its axis.
8. Connect the rear lamp cable connector to the scanner electrical system.
9. Repeat Steps 3 through 8, referring to the front lamp, noting that in Step 3 the front lamp cable must be released from the front lamp cable clip, and in Step 6 the clear slit should face towards the rear. In Step 8, the front lamp cable connector must be fashioned to the front lamp cable clip.
10. Close the side access door.
11. Perform the Calibration function. See the section entitled, "Calibrating the scanner" in Chapter 2.

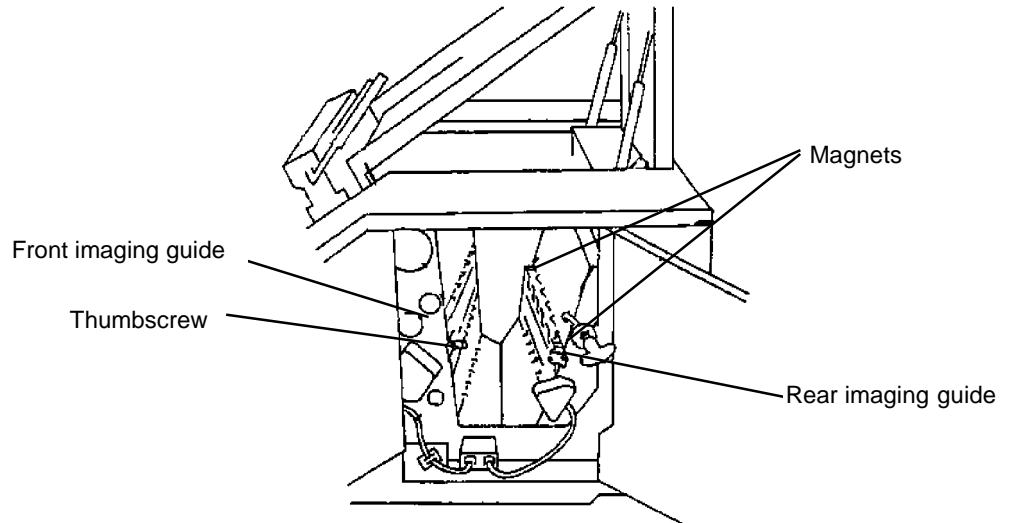
Replacing the imaging guides

To replace the imaging guides, follow the steps below:

1. Open the side access door.
2. Release and open the vertical transport plate by rotating the release handle 180° clockwise.

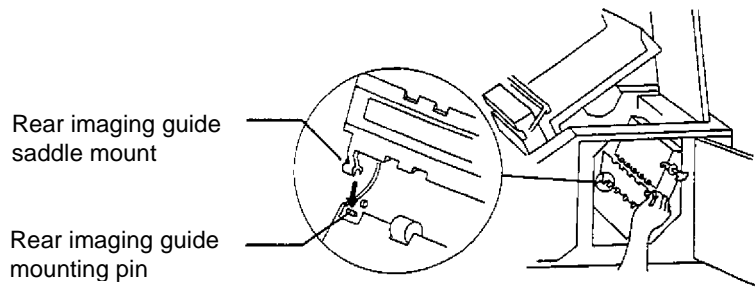


3. Release and remove the front imaging guide by rotating the thumbscrew 90° counterclockwise, and lifting the guide's two green saddle mounts from the mounting shaft.



4. Release and remove the rear imaging guide by swinging the guide toward the front of the scanner (to release it from the two magnets), and lifting it from the scanner's two mounting pins.

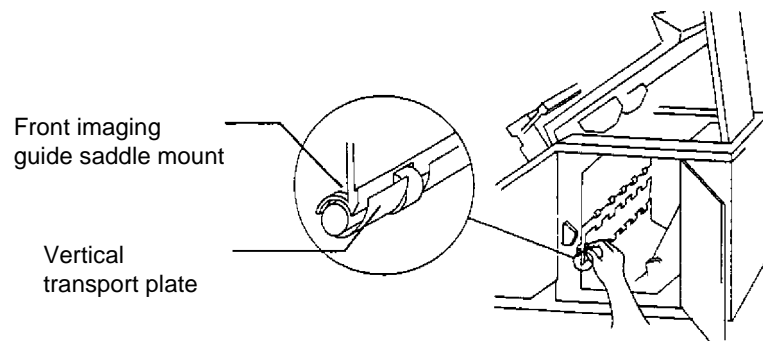
5. Grasp and hold the new lower imaging guide by the green handle and carefully slide it into place. Make sure the grooves fully engage the track.



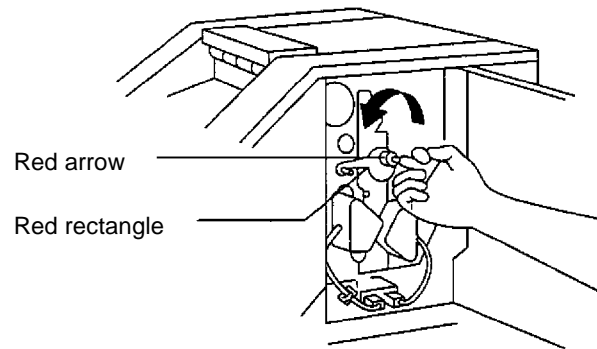
6. Hold the new front imaging guide by the edges and carefully set it back into the scanner by seating the guide's two green saddle mounts on to the mounting shaft, and rotating the front imaging guide thumbscrew 90° clockwise.

NOTE: The imaging guides are not interchangeable. They can only be inserted one way.

Look through the upper access door and side access door to make sure the imaging guide is mounted correctly. There are two sets of pins. Make sure the guide is seated on the small, lower set of pins. When the rear imaging guide is seated correctly, the top of the guide will sit approximately a ½-inch (10 mm) from the vertical transport plate. The rear imaging guide will become flush with the plate when the plate is closed.



- Swing the vertical transport plate closed and rotate the release handle 180° counterclockwise (so the red arrow aligns with the red rectangle) to latch the plate.



- Close the side access door.
- Release and lower the horizontal transport plate back into its original position.
- Lower the release bar and latch the front scan module into its original position.
- Close the lower access door.
- Close the upper access door.
- Locate and grasp the end of the front imaging guide. Carefully slide the imaging guide out of its track.
- Locate and grasp the end of the rear imaging guide. Carefully slide the imaging guide out of its track.
- Grasp and hold the new rear imaging guide by the green handle and carefully slide it into place. Make sure the grooves fully engage the track.
- Grasp and hold the new front imaging guide by the green handle and carefully slide it into place. Make sure the grooves fully engage the track.

NOTE: The imaging guides are not interchangeable. They can only be inserted one way.

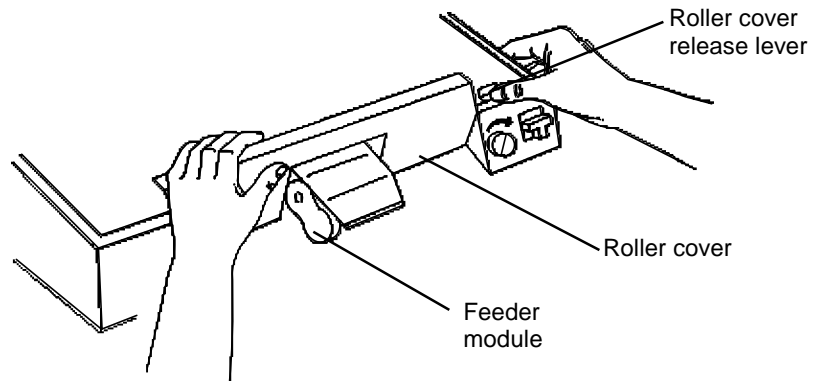
- Close the right-side access door.

Replacing the feeder module and separator roller

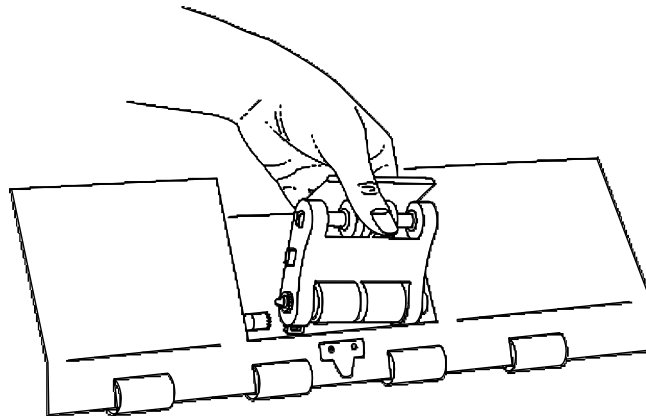
To replace the feeder module and separator roller, follow the steps below:

Replacing the feeder module:

1. Open the front cover.
2. Push the roller cover release lever toward the back of the machine.
3. Grasp and rotate the roller cover toward the back of the machine, exposing the feeder module and separator roller.

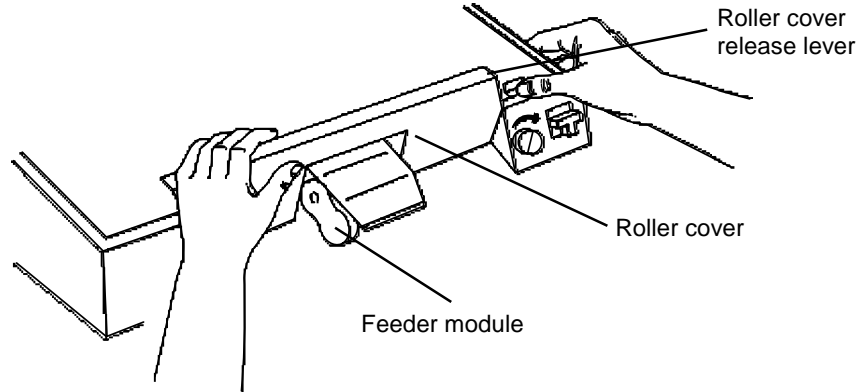


4. Remove the feeder module by pushing it to the right and lifting it out of its position.
5. Reinsert a new feeder module, by aligning the pins and fitting it into position.

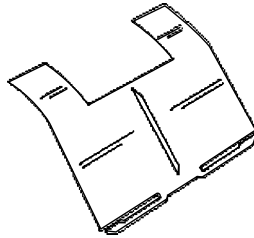


Replacing the separator roller:

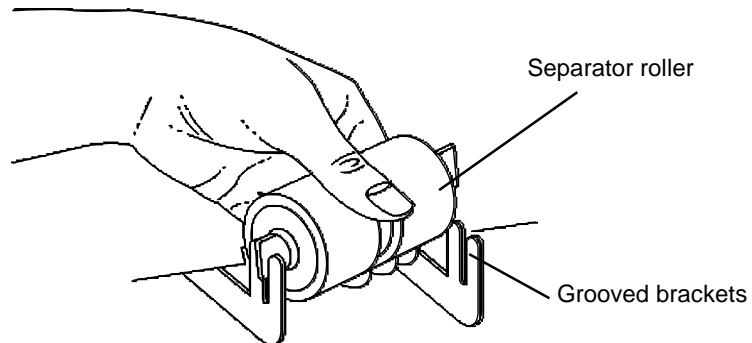
1. Open the front cover.
2. Push the roller cover release lever toward the back of the machine.
3. Grasp and rotate the roller cover toward the back of the machine, exposing the feeder module and separator roller.



4. Lift and remove the separator roller cover plate.



5. Lift the separator roller out of the grooved brackets.



6. Reinsert a new separator roller by aligning the pins in the grooved brackets.
7. Reinsert the separator roller cover plate.
8. Close the feeder cover.
9. Close the front door.

Ordering replacement parts

The following consumable parts can be ordered by calling: 1-800-431-7278.

- Imaging guides
 - Front: Part No. 986448
 - Rear: Part No. 986449
- Exposure lamps: 986472
- Automatic Document Feeder Module: CAT No. 123 6066
- Automatic Document Feeder Separator Roller: CAT No. 161 4908

Ordering cleaning materials

The following cleaning materials can be ordered:

- Paper Path Cleaner: Part No. 4C9073 (pack of 50)
- Staticide Wipes: Part No. 1C8102 (pack of 24)

6 Operator Messages

This chapter outlines the actions that should be taken by the user and system administrator when an error message appears in the status display.

When a message appears in the status display, you should take the action suggested in the Operator Message Listing. If you cannot solve the problem, call the system administrator. If the problem persists, the system administrator should call Service personnel.

When an error message is displayed, some keys on the control panel may be temporarily invalid. However, the Jog key is available most of the time so documents in the transport system can be removed.

IMPORTANT: *Never power down the machine without first contacting your system administrator.*

When a + (plus) sign is displayed between the error code and error message, it indicates more than one error message has been generated. Press the + key to view the other error messages.

In most cases, when error codes are displayed, you will have to press **C** to clear the message. Then proceed with any additional procedures as indicated in the *Description/Action Required* column of the Operator Message Listing. Limited procedures are included in the Operator Message Listing. Full procedures are documented in the following chapters:

Chapter 2, *Getting Started*
Chapter 3, *Operating the Scanner*
Chapter 5, *Maintenance*
Chapter 7, *Troubleshooting*

Refer to these chapters as needed.

Service Errors

If a message appears in the status display that is within the ranges E600-E999, contact your system administrator; these are service errors and Service personnel should be contacted.

A system administrator should contact Service when:

- the initial error recovery has been performed but the error message persists.
- the initial error recovery has no effect on the error message.
- an indicated accessory must be replaced.

Controlled power-down sequence

Before performing the controlled power-down sequence, determine if the error can be addressed from the host. If so, perform the required host recovery procedures. If the error cannot be addressed from the host, or if the scanner's error message cannot be cleared when the host recovery procedures are performed, continue with the following power-down sequence.

1. Wait for all information currently held in the buffer to be transferred to the host system.
2. If necessary, prepare the host and corresponding system components for a scanner power-down, per host system instructions.
3. Turn off the scanner power for at least 5 seconds, then turn the power back on again.
4. If necessary, determine the last image transferred to the host, reset the image address and image level to the correct values, and rescan all documents whose images have not been transferred to the host.
5. If required, calibrate the scanner before rescanning.
6. If the error condition is not cleared using the controlled power-down sequence, contact Service.

Operator message listing

Code	Message Displayed	Description/Action Required
E101	Auto shut-off	Transport will stop and the message will be displayed if a document has not been scanned within one minute. Press Run to continue. Feed documents.
E102	Press STOP and try again	Tried to use a function code that is not valid while the transport is running. Press Stop and try again.
E103	Select valid mode (1 - 18)	Invalid application mode was selected. Enter function code F01 to select another mode.
E104	Function not available	Invalid function code entered. Enter a valid function code.
E105	Parameter Value Invalid	There is an invalid front/rear resolution mismatch or a crop length/resolution mismatch. Check the scanner configuration.
E106	Doc length monitor - warning	Tried to scan a document that was shorter or longer than the maximum or minimum length set up for the application mode you are using. Potentially a multi-feed condition. Check the document length to see if it is shorter than the minimum or longer than the maximum allowed or a multi-feed; refeed the document.
E107	Doc skew monitor - warning	Tried to scan a document that is skewed greater than the maximum skew angle set up for the application mode you are using and less than 30 degrees. Refeed the document.
E112	Invalid patch level	Invalid patch was used. The patch document is ignored and the previous image level and image address remain unchanged. Feed a correct patch document.
E113	Incorrect image address	Tried to use an invalid image address. The image address was not completely input before pressing Enter . Press Next to enter a correct image address.
E114	Check current IA/level	Conflicting input regarding the proper level was received. Check the current document image level and image address.
E116	Accessory not mode enabled	Tried to use an accessory that is not enabled in the chosen mode. Enter a different function code or select an application mode that is enabled. If the selected accessory is desired, contact Service to change the mode configuration.

Code	Message Displayed	Description/Action Required
E118 E119	Check correct IA/level	Document image level assignment and next image address input conflict. Specify another document image level, or use the Next key to enter a valid image address.
E127	Wait image buffr full	The image buffer is too full. The feeder will stop feeding documents, but the documents in the transport system will continue to be scanned. Scanning will automatically continue when the image buffer is clear. No action is required. Wait for the message to clear as the host retrieves images from the scanner.
E128	Doc interval too narrow	The document interval has become too narrow. Check and adjust the feed and separator roller gap.
E132	Printer - not machine enabled	Tried to use the Document Printer, but the accessory is not enabled. Enter function code F40 to enable the Document Printer.
E133	Bar Code - not machine enabled	Tried to use the Bar Code Reader, but the accessory is not enabled. Enter function code F60 to enable bar code reading.
E134	Patch - not machine enabled	Tried to use the Patch Reader, but the accessory is not enabled. Enter function code F50 to enable the Patch Reader.
E135	Printer hardware error	Tried to use the Document Printer after an E207 Printer Hardware error was displayed at power-on and the C key was used to clear the message. Press C to clear the error condition.
E136	Bar Code hardware error	Tried to use the Bar Code Reader after an E208 Bar Code hardware error (or E640-645 Bar Code Health Check error) was displayed at power-on and the C key was used to clear the message. Press C to clear the error condition.
E137	Footswitch - not machine set	Tried to use the Footswitch, but the accessory is not enabled. Call Service to change the mode configuration.
E138	Accessory off via Fnc code	Tried to use an accessory that is enabled for the current application mode but is currently disabled via a function code. Press C to clear the error, then press F and enter the function code that enables the desired accessory.

Code	Message Displayed	Description/Action Required
E139	Confirm tone - not mach enabled	Tried to use a confirmation tone function code (F53, F63, F75) but the confirmation tone is not enabled. If a confirmation tone is required, contact your system administrator.
E150	Buffer data transfer to host	Tried to change function codes via F02. Cannot perform this function while scanned images are in the image buffer. After pressing C , enter F02 again when all images have been read by the host.
E151	Buffer data transfer to host	Tried to use the bar code test via function code F65. Cannot perform this function while scanned images are in the image buffer. After pressing C , enter F65 again when all images have been read by the host.
E152	Scanning - try again	Tried to enter a function code while scanning. Press Stop/End to stop scanning.
E204	Re-scan - skew monitor err	Tried to scan a document that is skewed greater than the maximum skew angle and less than 30 degrees. Note the document that was skewed and press C .
E205	IA Overflow - press Next key	One of the image address fields has been overflowed. For example, if the Level 1 field is set for two digits, up to 99 Level 1 documents can be scanned, the 100 th document will cause an overflow. Press Next or one of the Level keys to change the image address or level so the corresponding field does not overflow.
E207	Printer hardware error	At power on, a Document Printer hardware error has been detected. Press C to clear message and contact Service.
E208	Bar Code hardware error	At power on, a Bar Code hardware error has been detected. Press C to clear message and contact Service.
E209	Bar Code data overflow	Bar Code Reader detected more than the maximum 80 characters. Verify the bar code has more than 80 characters. Disable the Bar Code Reader (F64) and rescan the document.
E214	Rescan - length monitr err	Tried to scan a document that was shorter or longer than the maximum or minimum length set up for the application mode or possibly a multi-feed condition. Check the document and rescan the document.
E216	Printer hardware error	At power on, a Document Printer hardware error has been detected. Disable the Document Printer (F40-F42) or select an application mode that does not use the Document Printer.

Code	Message Displayed	Description/Action Required
E217	Bar Code hardware error	At power on, a Bar Code Reader hardware error has been detected. Disable the Bar Code Reader (F60) or select an application mode that does not use the Bar Code Reader.
E222	Jam - Feed/Horz Trans Area	A document jam has been detected in the feeder or horizontal transport area. <ul style="list-style-type: none"> • Clear the document path. • Press C and then press the Jog key. • Press Run and refeed document(s).
E223	Jam - Vert/Trans Exit Area	A document jam has been detected in the vertical transport or exit area. <ul style="list-style-type: none"> • Clear the document path. • Press C and then press the Jog key. • Press Run and refeed document(s).
E224	Jam or Dble Feed - check trans	A document jam or double feed has been detected. <ul style="list-style-type: none"> • Clear the document path. • Press C and then press the Jog key. • Press Run and refeed document(s).
E225	Jam - check entire transport	A document jam has been detected. <ul style="list-style-type: none"> • Clear the document path. • Press C and then press the Jog key. • Press Run and refeed document(s).
E230	Open Door - entire transport	This message is displayed with other document jam messages. Open the access door and transport plate as suggested by accompanying messages and clear the document jam.
E232	Close all access doors	One or more access doors are open. Close all doors.
E234	Press JOG to remove docs	When pressing Run , a document was detected under a document sensor. Press Jog to move all documents in the transport system, then press Run and rescan any documents that have not been scanned.

Code	Message Displayed	Description/Action Required
E235	Controlled power-down reqrd	<p>This message is displayed along with a more detailed error message.</p> <ul style="list-style-type: none"> • Turn the side panel switch off. • Turn the main power switch off. • Wait 5 to 10 seconds. • Turn the main power switch on. • Turn the side panel switch on. <p>If the error repeats, call Service.</p>
E241	Enter correct IA, re-scan	<p>The patch document fed conflicts with the Level key pressed. Verify the current image level and image address. If necessary, alter the image level or image address using the Level keys or Next key or press Run and rescan the patch document.</p>
E244	Enter correct IA, re-scan	<p>The T-patch document was fed and then followed by a 2-patch or 3-patch document which conflicted with the level of the T-patch. Verify the current image level and image address. If necessary, alter the image level or image address using the Level keys, or Next key or press Run and rescan the T-patch, 2-patch or 3-patch document.</p>
E245	Enter correct IA, re-scan	<p>Two T-patch documents were fed one right after the other. Verify the current image level and image address. If necessary, alter the image level or image address using the Level keys or Next key. Do not scan another T-patch document.</p>
E246	Enter correct IA, re-scan	<p>The T-patch document fed conflicts with the level of the image address entered. Verify the current image level and image address and if necessary, alter the image level or image address using the Level keys or Next key. Do not scan another T-patch document.</p>
E250	Frnt illumination failure	<p>A front lamp failure was detected while the front lamp was illuminated. Press Cal to calibrate the scanner. If the error persists, verify the optical path is free of obstructions, clean the imaging guides and replace the front and rear (duplex scanners) lamps.</p>
E251	Rear illumination failure	<p>A rear lamp failure was detected while the rear lamp was illuminated. Press Cal to calibrate the scanner. If the error persists, verify the optical path is free of obstructions, clean the imaging guides and replace the front and rear lamps.</p>

Code	Message Displayed	Description/Action Required
E261	Fr Cal illumination failure	A front lamp failure was detected during calibration. Press Jog to remove the calibration target. Press Cal and try to calibrate the scanner again. If the error persists, verify the optical path is free of obstructions, clean the imaging guides and replace the front and rear (duplex scanners) lamps.
E262	Rr Cal illumination failure	A rear lamp failure was detected during calibration. Press Jog to remove the calibration target. Press Cal and try to calibrate the scanner again. If the error persists, verify the optical path is free of obstructions, clean the imaging guides and replace the front and rear lamps.
E263	Calibration target too short	Tried to use a calibration target shorter than 12 inches. Press Jog to remove the calibration target. Use the appropriate calibration target. Press Cal and try the calibration process again.
E264	Cal target front too dark	Tried to use a calibration target where the front side is darker than the specification allows. Press Jog to remove the calibration target. Use the appropriate calibration target. Press Cal and try the calibration process again.
E265	Cal target rear too dark	Tried to use a calibration target where the rear side is darker than the specification allows. Press Jog to remove the calibration target. Use the appropriate calibration target. Press Cal and try the calibration process again.
E278	Re-scan - doc feed error	A document has been fed which is off-center or skewed. Press Run to restart the transport system.
E291	Scanner disabled	Tried to run the transport system when the scanner was disabled (other than via the Count Only function). Enable the scanner from the host and press Run .
E294	Fr Cal Fail - calibration reqrd	A calibration failure was detected in the front scan module. Press Cal to calibrate the scanner. If the error persists, verify the optical path is free of obstructions, clean the imaging guides and replace the front and rear (duplex scanners) lamps.
E295	Rr Cal Fail - calibration reqrd	A calibration failure was detected in the rear scan module. Press Cal to calibrate the scanner. If the error persists, verify the optical path is free of obstructions, clean the imaging guides and replace the front and rear lamps.

Code	Message Displayed	Description/Action Required
E000 - E666	various messages	Follow the procedures indicated on the display. If the error persists, turn the scanner off and then on again. If error still persists, call Service.
E700 - E799	various messages	Follow the procedures indicated on the display. If the error persists, turn the scanner off and then on again. If error still persists, call Service.
E800 - E899	various messages	Follow the procedures indicated on the display. If the error persists, turn the scanner off and then on again. If error still persists, call Service.
E900 - E999	various messages	Follow the procedures indicated on the display. If the error persists, turn the scanner off and then on again. If error still persists, call Service.

7 Troubleshooting

Trouble and remedy chart

This chapter outlines some of the problems you may encounter and their probable causes and remedies.

Trouble	Probable Cause	Remedy
Scanner does not power on (status display does not illuminate).	The power cord is not connected.	Push the power cord plug into the receptacle.
	The wall outlet is defective.	Check the outlet (call an authorized electrician.)
	The power switch is off.	Turn the power switch on.
	The access doors are not closed.	Check and close all the access doors.
Documents not feeding properly.	The feed and separator roller gap is not properly adjusted. (semi-automatic feeder only)	Refer to Chapter 2, "Adjusting the feed and separator roller gap".
	Feeding thick documents without using the gap release lever.	Refer to Chapter 2, "Adjusting the feed and separator roller gap".
	The feed and separator rollers may be dirty.	Refer to Chapter 5, "Cleaning the feed and separator rollers".
	The feed shelf position is not properly adjusted. (semi-automatic feeder only)	Refer to Chapter 2, "Adjusting the feed shelf position".
	The feed shelf side guides are not properly adjusted.	Refer to Chapter 2, "Adjusting the feed shelf side guides and end stop".
Documents not stacking properly.	The exit hopper side guides are not properly adjusted.	Refer to Chapter 2, "Adjusting the exit hopper side guides and end stop".
	The exit hopper end stop is not properly adjusted.	Refer to Chapter 2, "Adjusting the exit hopper side guides and end stop".
Image corners are cut off.	Documents are fed with excessive skew and corners of the document are extended past the 12-inch imaging area.	Adjust guides and feed roller. Jog lead edges of the document stack.
Image edges appear jagged.	Paper movement through transport.	Verify that the vertical baffle plate is fully closed.

Trouble	Probable Cause	Remedy
Repeated jamming.	The transport system plates and operator-accessible areas are not firmly closed.	Repeat any recent jam clearing or maintenance procedures, making certain all plates are firmly in place and all operator-accessible areas are closed. Refer to "Clearing the document path" later in this chapter.
	Documents are skewed during feeding.	Adjust guides and feed roller.
Any imaging problem or distortion (especially after clearing a paper jam)	Pieces of paper may be caught in the imaging area of the transport.	Check and clean imaging and transport areas for lodged pieces of paper. Refer to Chapter 5, "Cleaning the imaging guides".
Clear streak on scanned images.	There may be a foreign object in the optical path.	Check and clean imaging guides and transport area. Refer to Chapter 5, "Cleaning the imaging guides".
Overall scanned image density too light, too dark, or uneven.	Dust, dirt or fingerprints on the imaging guides.	Check and clean imaging guides. Refer to Chapter 5, "Cleaning the imaging guides".
	Calibration is not performed or is not performed correctly.	Perform calibration using instructions provided. Refer to Chapter 2, "Calibrating the scanner".
	Lamps are dirty or not properly installed.	Check the lamps for proper installation. Check for dirt or debris in the lamp housing. Refer to Chapter 5, "Cleaning the exposure lamp housings".
Calibration failure.	Calibration target was skewed when feeding.	Retry. Adjust feed tray side guides. Adjust feed and separator roller gap.
	Document was in the transport at the time of calibration.	Remove any documents in the transport system. Retry. Refer to "Clearing the document path" later in this chapter.
	Lamps are dirty or not properly installed.	Check the lamps for proper installation. Check for dirt or debris in the lamp housing. Refer to Chapter 5, "Cleaning the exposure lamp housings".

Trouble	Probable Cause	Remedy
Some images are not deskewed	If you have the Image Manager Accessory installed, and you encounter images that are not deskewed, it may be that the upper left corner could be close enough to the center that when the document is deskewed, part of the document area is cut off.	To avoid loss of data, make sure documents are not severely skewed with the left corner in the middle of the scanning width.
Repeated low lamp error messages.	Lamps may not be properly installed.	Make sure the lamps are securely seated in the lamp socket holders.

Clearing the document path

If a document becomes lodged in the scanner transport system, the system stops running and a message appears in the status display.

A document can become lodged in the transport system when:

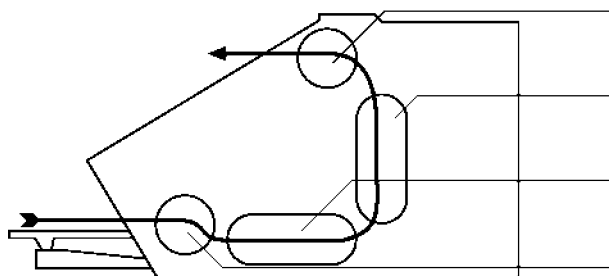
- Documents are not fed straight (skewed).
- Documents are torn, badly folded, or wrinkled. Area D
- Staples and paper clips were not removed from documents. Area C
- Imaging guides are not seated properly or are not installed.
- Transport system plates are not firmly closed. Area B

The document path can be cleared easily because:

- No tools are needed. Area A
- Access doors let you quickly locate and clear documents.

The document path

There are four areas in the transport system where documents may become lodged and need to be removed:



- A Feeder area
- B Horizontal transport plate, lower belt module and lower turn areas
- C Vertical transport plate and imaging guide areas
- D Document exit and upper turn roller areas

Clearing documents

Follow the steps below to clear the document path:

1. Check each transport area in turn (Areas A through D) for documents lodged in the document path. You only have to remove the jammed document(s). The Jog feature places the rest of the documents in the exit hopper. Make certain all operator-accessible areas are firmly closed and the transport plates are locked into place.
2. Press and hold down the **Jog** key to clear any remaining documents.
3. Collect the documents located in the transport system. Put them back into their original order, if necessary.
4. Reset the image address, level, etc., if necessary.
5. Rescan the documents. If an error code appears in the status display, check each transport area again to make certain all documents have been cleared.

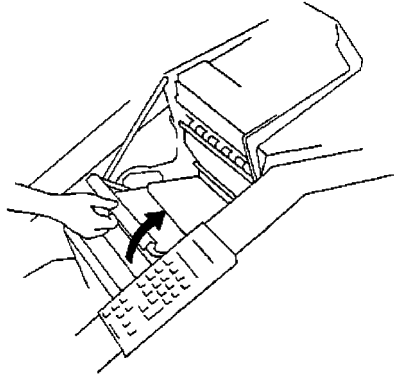
NOTE: Green labels on handles designate operator-accessible areas.

The feeder area

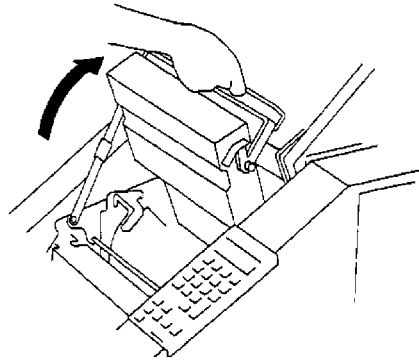
To clear the feeder area (Area A):

1. Turn off the power switch.
2. Lift up the lower access door.

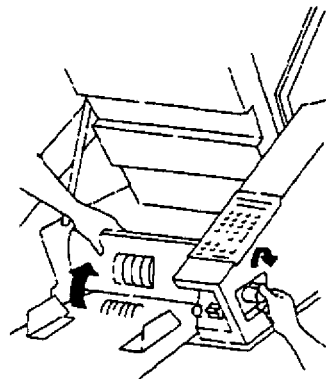
CAUTION: Open and close the doors slowly.



3. Raise the front scan module.



4. Rotate the feed roller cover release lever downward while rotating the feed roller cover up to expose the feed roller and separator roller.



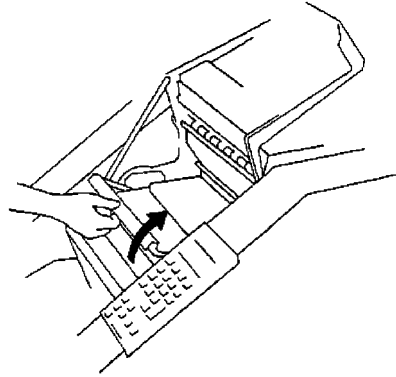
5. Press and hold the gap release lever and remove all jammed documents.
6. Rotate the feed roller cover to its original position.
7. Lower and latch the front scan module.
8. Close the lower access door.

Horizontal transport plate, lower belt module and lower turn areas

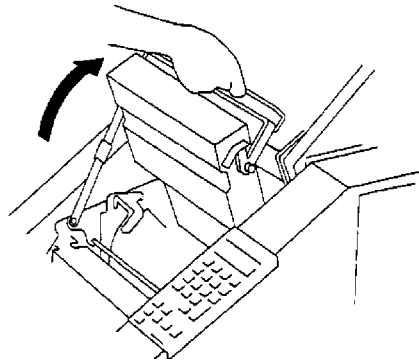
To clear the horizontal transport plate, lower belt module and lower turn areas (Area B):

1. Turn off the power switch.
2. Lift up the lower access door.

CAUTION: Open and close the doors slowly.

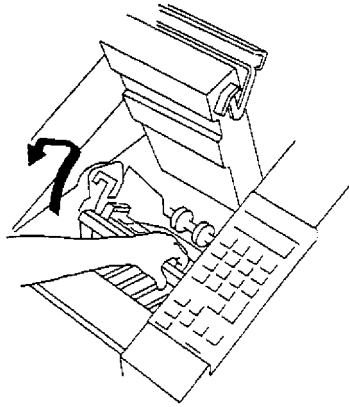


3. Raise the front scan module.



4. Lift up and latch the horizontal transport plate into its open position.

NOTE: If the Patch Reader accessory is installed, the Patch Reader must be removed from the mounting plate in order to lift up the horizontal transport plate.

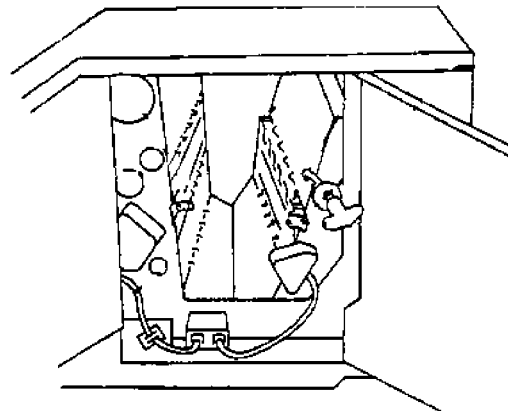
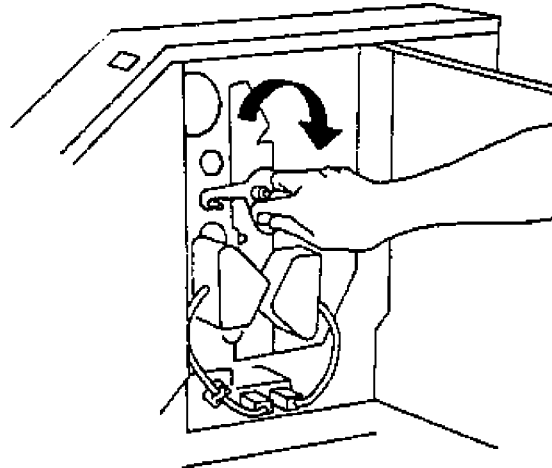


5. Remove all jammed documents.
6. Release and lower the transport plate back to its original position.
7. Lower and latch the front scan module.
8. Close the lower access door.

Vertical transport plate and imaging guide areas

To clear the vertical transport plate and imaging guide areas (Area B):

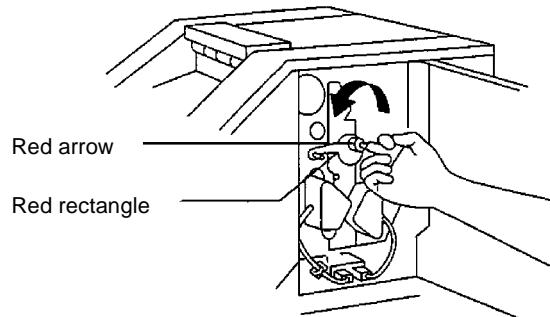
1. Turn off the power switch.
2. Open the side access door.
3. Release and swing open the vertical transport plate by rotating the release handle 180° clockwise.



4. Remove all jammed documents.

5. Swing the vertical transport plate closed and rotate the release handle 180° counterclockwise (so the red arrow head aligns with the red rectangle) to latch the plate.

NOTE: If the vertical transport plate is not completely closed, documents can lodge in the transport system.

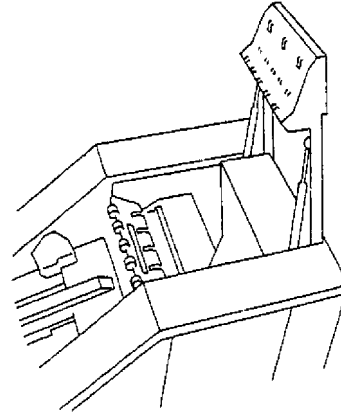


6. Close the side access door.

Document exit and upper turn roller areas

To clear the document exit and upper turn roller areas (Area D):

1. Turn off the power switch.
2. Lift up and open the upper access door.



3. Remove all jammed documents.

CAUTION: Be careful not to damage the antistatic brush when removing the documents.

4. Close the upper access door.

Removing non-jammed documents

After clearing the document path, follow the steps below to remove any non-jammed documents.

1. Check the transport system for documents lodged in the document path. The green handles and labels indicate operator-accessible areas.
2. Make sure the horizontal and vertical transport plates, and the three access doors are securely closed.
3. Turn the power on.
4. Press and hold the Jog key to clear any remaining documents in the transport system. Repeat this step until all documents are in place in the exit hopper.
5. Reset the image level, image address and application mode if necessary.

Rescan documents in their original order.

8 Accessories

This chapter provides a list of available accessories for the *Kodak Digital Science* Document Scanner 5500/7500. Operating instructions for most of these accessories can be found in this chapter.

Other accessories are available but do not necessarily require any specific operating instructions.

Any operating instructions you receive on new accessories can be conveniently placed in this chapter so you can easily access them as needed.

- **Bar Code Reader** — a productivity feature which provides a hands-off method of entering data by automatically reading and decoding information encoded in bar code form. CAT No. 814 3026
- **Document Printer and Controller** — provides easy installation and maintenance of print cartridges for 6- or 12-character printing of customer-specified information on documents. CAT No. 838 9357
- **Footswitch** — provides a hands-off method of performing document level changes or commonly used functions while documents are being fed into the transport system. CAT. No. 817 2991
- **Imaging Station Lamps** — provides color form drop-out capability for more efficient document storage. See the section entitled, "Supplies" for catalog numbers.
- **Patch Reader** — a productivity feature which controls document level changes by automatically sensing a predefined patch code and changing the document level accordingly. CAT No. 151 9842
- **Universal Stand** — a stand for the scanner which provides extra work space for the operator when scanning documents. CAT No. 829 0686

Supplies

The following supplies are available:

Imaging Station Lamps (5000 and 7000 series products)

Supply	CAT No.
Red Image Color Element (set of 2)	126 0884
Green Image Color Element (set of 2)	132 9812
Blue Image Color Element (set of 2)	800 1307

Parts and tools

The following parts and tools are needed to properly maintain your system.

NOTE: Field Engineers/Specialists are not authorized to order these items; they should be ordered by the customer.

Part/Tool	Order Number
Front Imaging Guide	986448
Rear Imaging Guide	986449
Bar Code Reader Standard Test Document Set	TL 4528
Staticide Wipes (24 per box)	1C8102
Round Cleaning Brush, natural bristle	TL 2253
Flat Cleaning Brush, natural bristle	TL 2156

United States and Canada

Parts and tools are available through Parts Services at Eastman Kodak Company:

- Call Parts Services at 1(800) 431-7278, or
- Send a facsimile to (716) 724-3051

All other regions

Parts and tools are available through Parts Services at Eastman Kodak Company.

Using the Bar Code Reader

The *Kodak Digital Science* Bar Code Reader 5000/7000 provides a hands-off method of data entry, eliminating the need to manually enter data found on document(s). Bar code image(s) are read, decoded, and converted to a data string of ASCII characters. The ASCII data string is placed in the image header which is sent to the host computer when scanning, or merged with the document image address and transmitted as a data record to a host computer for storage in a data library when filming.

During installation, modes are defined for use with specific applications. The Bar Code Reader may be enabled or disabled for each mode. In addition, the bar code type, number of bar codes per document, minimum bar code length (characters), and the distance between multiple bar codes are defined for each mode.

This User's Guide:

- explains what bar code types can be read and decoded by the *Kodak Digital Science* Bar Code Reader.
- provides specifications that must be followed when placing bar codes on documents.
- explains how to enable (or disable) bar code reading and the bar code confirmation tone.
- explains how to perform a bar code test and how to use the three test options — Evaluate, Display, Read Rate.
- provides information on how to evaluate test results.

For more detailed information about bar codes, see Kodak publication, *Bar Code Made Easy*, A-61099.

Bar code types

During installation, the type of bar code used is defined for each mode. The Bar Code Reader is capable of reading and decoding three different types of bar codes.

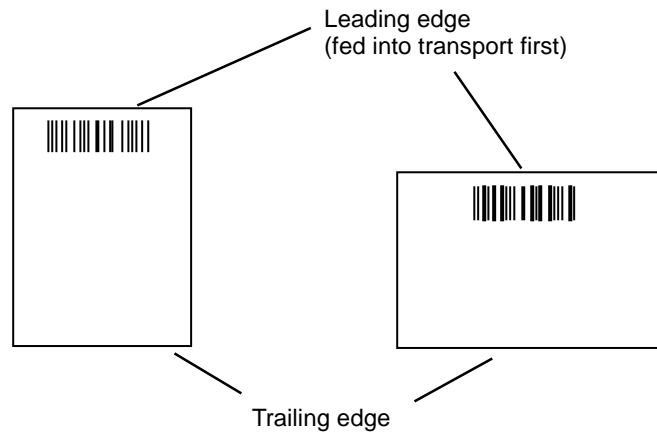
- **Code 3 of 9** — also known as Code 39, is a widely used code in which 9 bars or spaces comprise the characters, 3 of which are wide.
- **Interleaved 2 of 5** — or I 2 of 5, is a compact, interleaved code for numeric characters only. Each digit is represented by 5 bars or spaces, 2 of which are wide.
- **Codabar** — similar to Code 3 of 9, but not as widely used. Codabar includes only numeric and special characters.

The following table shows a comparison of bar code types:

Code Type	Character Set	Available Characters in Set	Start/Stop Characters
Code 3 of 9	alphanumeric space special characters: - . \$ / + %	43	* / *
Interleaved 2 of 5	numeric	10	both unique
Codabar	numeric special characters: - \$	12	a-d /a-d

Bar code placement

Bar codes must appear with the bars perpendicular to the leading edge of the document:



In addition, the following must be true:

- The bar code must be at least 0.25 in. (6.3 mm) from the leading edge of the document.
- The bar code must be at least 0.25 in. (6.3 mm) from the trailing edge of the document.
- There must be at least 0.25 in. (6.3 mm) of blank space preceding the start character and following the stop character.
- The bar code may not exceed 11 in. (275 mm) in length.
- The bar code height must be at least 0.40 in. (9.5 mm) or 25% of the bar code length, whichever is greater.

More detailed specifications are provided in Kodak publication, *Bar Code Made Easy* (A-61099).

Before you begin

Before feeding documents containing bar codes, verify the following:

- Bar code reading is enabled in the current mode.
- The bar code confirmation tone is enabled (if desired).
- A bar code test has been performed and the read rate/accuracy is satisfactory.

Once each of these items has been verified, you may begin feeding documents.

Enabling bar code reading

Make sure that Bar Code Reading is enabled before feeding documents.

To enable Bar Code Reading at the mode level:

- Enter function code **F60**.

If you have enabled the Bar Code Reader, but do not want to read/decode bar code(s) found on the next document only, perform function code **F64**.

Enabling the bar code confirmation tone

The bar code confirmation tone may be used to signal that a bar code has been read.

- If your machine is configured for no confirmation tones, then no confirmation tones of any kind will be heard in any mode.
- If your machine is configured to allow confirmation tones, then you can disable (or enable) confirmation tones in any mode as desired.

If the machine confirmation tones and the bar code confirmation tone are enabled during installation for the mode being used, you may enable/disable the bar code confirmation tone during normal operations by performing function code **F63**.

In addition, a bar code/patch code confirmation tone may be used to signal that both a bar code and a patch have been detected. This confirmation tone may be enabled or disabled by performing function code **F62**.

NOTE: Patch Code Reading must be enabled in the scanner in order to use this feature.

Performing a bar code test

Before feeding documents, perform a bar code test (F65) to verify the operation of the Bar Code Reader.

NOTE: No document processing, image address changes or level counting, etc. will occur during the test.

To perform a bar code test, select one of the test options.

1. Enter function code **F65**.
2. Select one of the following options.

BC Type = 1: EV 2: DP 3: Rr

- **1=EVALUATE (1: EV)** — provides a measure of the overall quality of the bar codes being used by evaluating specific bar code characteristics. This test is performed whenever a new batch of preprinted bar code documents or labels are received, or when there is a change in the printing method (i.e., a new printer), media (i.e., new paper type) or bar code characteristics (i.e., new bar code size).
- **2=DISPLAY (2: DP)** — displays the decoded value of an individual bar code as it is fed into the transport. This test is performed whenever there is a need to verify that a bar code is decoded properly. The bar code is read and decoded. No capturing of images or any other system function is performed when this test is run.
- **3=Read Rate (3: Rr)** — provides a measure of equipment performance by determining the read rate (percentage of bar codes read properly) of Kodak Bar Code Standard Test Documents. Two percentages are calculated each time the test is run; a current percentage and a historical percentage. The historical percentage reflects all tests run, providing information which may be used to track system performance over time.

Function code F65 options may also be used if there is a decline in bar code readability (read rate) during normal document processing. If this occurs, the following steps will assist you in diagnosing the problem:

1. Perform test option 3=Read Rate.
This test determines whether or not the reduction in readability is caused by a deficiency in the equipment.
 - If the resulting read rate is significantly lower than the benchmark given, contact Service.
 - If the resulting read rate is equal to or greater than the benchmark given, proceed to Step 2.
2. Perform test option 1=EVALUATE.
This test evaluates the bar codes being used in terms of dimensional and print clarity. Deficiencies in any one or more of these criteria could result in a reduction in the overall read rate.

Using the Evaluate option

Use the **Evaluate** option when you want to measure the quality of the bar codes being used by evaluating specific bar code characteristics.

To use the Evaluate option:

1. Select **1: EV**.

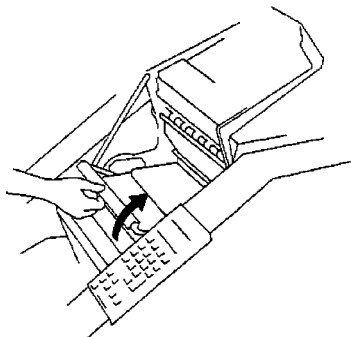
BC Type =
1: EV 2: DP 3: Rr

The following screen is displayed:

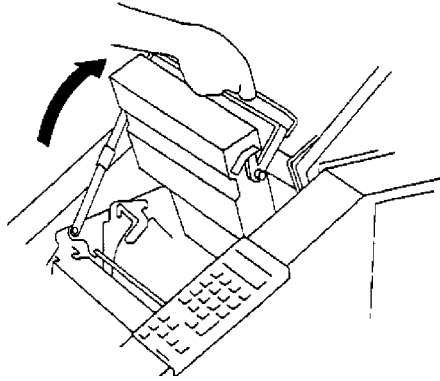
Put BC Doc Close
Door, Press Enter

2. Open the upper access door.
3. Lift open the lower access door.

CAUTION: Open and close the doors slowly.

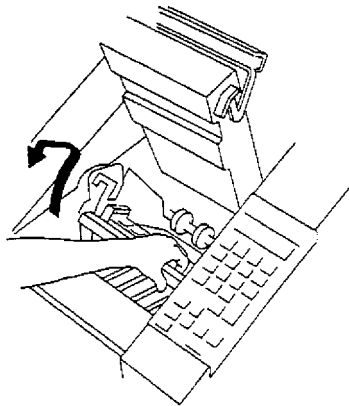


4. Lift the release bar to raise the front scan module.



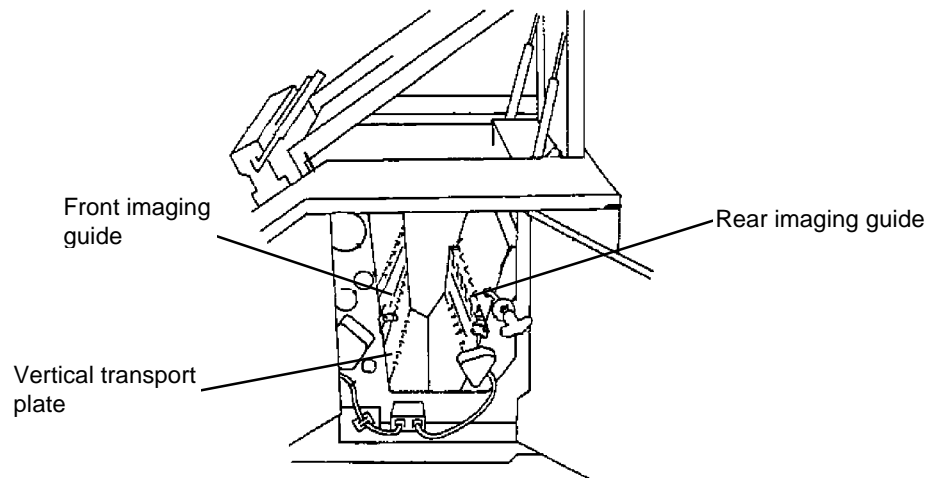
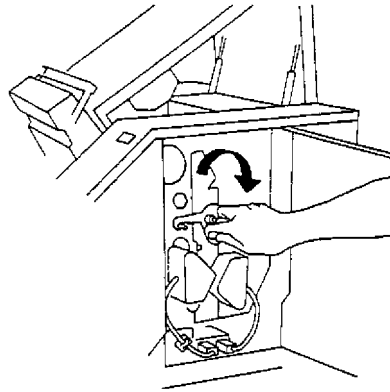
5. Lift up and latch the horizontal transport plate into its open position.

NOTE: If the Patch Reader accessory is installed, the Patch Reader must be removed from the mounting plate in order to lift up the horizontal transport plate.



6. Open the side access door. Do not leave the side access door open for more than 5 minutes.

7. Release and open the vertical transport plate by rotating the release handle 180° clockwise.

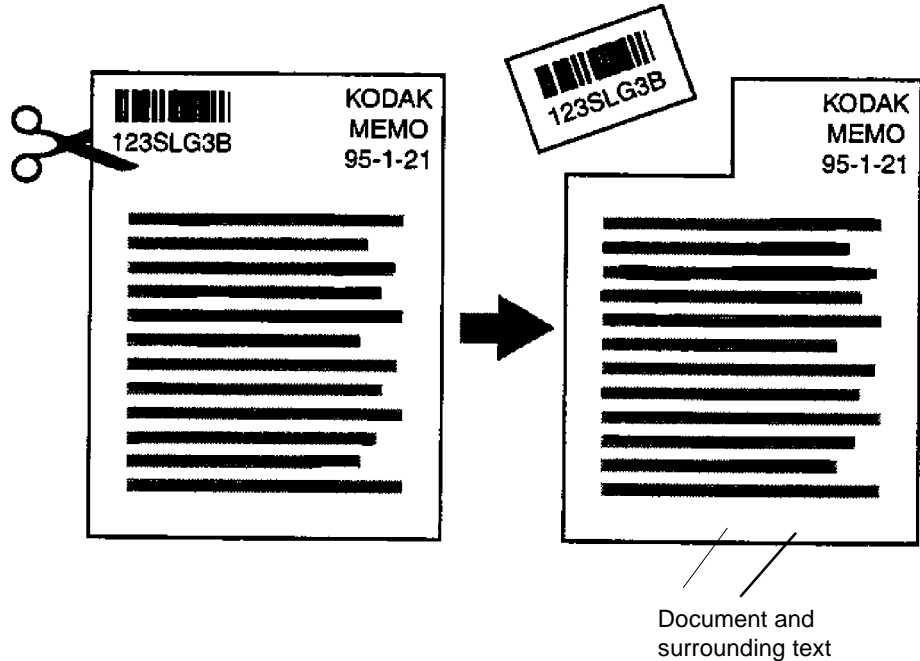


8. If the Bar Code Reader is set to read data through the front scan module, remove the front imaging guide. If the Bar Code Reader is set to read data through the rear scan module, remove the rear imaging guide.

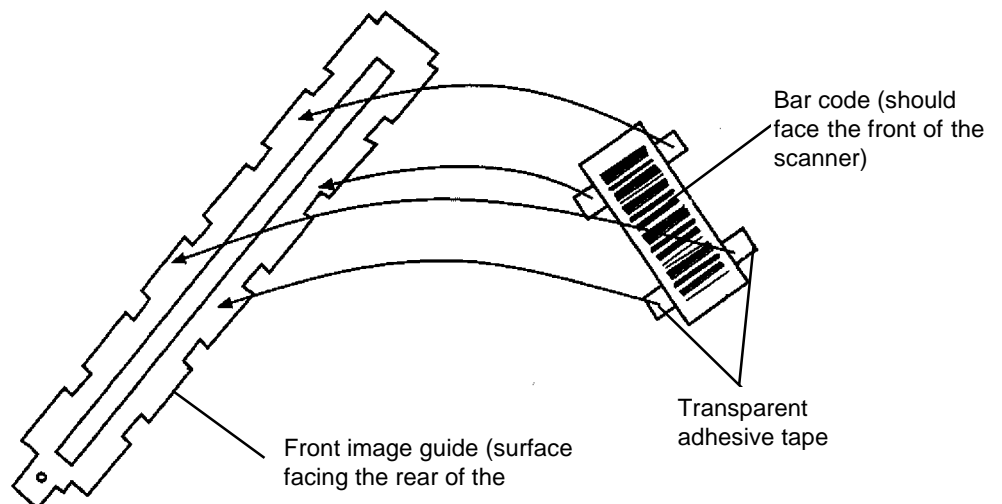
NOTE: Refer to Chapter 5, *Maintenance* for procedures on removing the imaging guides.

9. Prepare the bar code to be evaluated by cutting around the bar code so only the vertical black and white bars remain. Cut away all text and surrounding marks or illustrations.

NOTE: The bar code used must be the same type indicated in the first line of the status display of the first page.



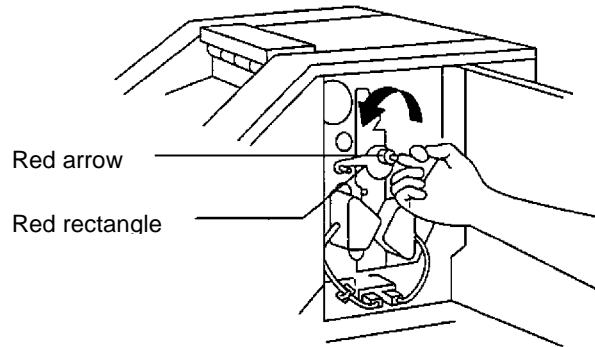
10. Use transparent adhesive tape to adhere the bar code to the appropriate imaging guide in the proper direction. If the Bar Code Reader is set to read data through the front scan module, adhere the bar code to the front imaging guide and ensure that the bar code is facing the front scan module. If the Bar Code Reader is set to read data through the rear scan module, adhere the bar code to the rear imaging guide and ensure that the bar code is facing the rear scan module.



11. Replace the imaging guide with the bar code attached to it.

NOTE: Refer to Chapter 5, *Maintenance* for procedures on removing the imaging guides.

12. Swing the vertical transport plate closed and rotate the release handle 180° counterclockwise (so the red arrow aligns with the red rectangle) to latch the transport plate.



13. Close the side access door.
14. Release and lower the horizontal transport plate back into its original position.
15. Lower the release bar and latch the front scan module into its original position.
16. Close the lower access door.
17. Close the upper access door.

When you have finished attaching the bar code to the imaging guide, return to the status display and continue with the following steps:

Put BC Doc Close Door, Press Enter

18. Press **Enter**. **Please Wait** will be displayed in the status display.

BC Type = Please Wait

Up to 10 seconds is required for warming the lamps and processing the data. Within 10 seconds, one of the following messages will appear in the status display.

Message 1

BC Type = <Not found>

Not Found indicates that the bar code was not read for one of the following reasons:

- The type of bar code placed on the imaging guide is not the type indicated in the status display.
Action: Verify the type of bar code placed on the imaging guide.
- The bar code is not positioned properly or faces in the wrong direction on the imaging guide.
Action: Verify the position of the bar code placed on the imaging guide.
- The bar code quality is poor.
Action: Clean the imaging guides if required.

Press **Stop** or **End** to return to the F65 menu.

Message 2

BC Type = <Partial>

Partial indicates that a start character was recognized, but some remainder of the bar code was unreadable. The bar code was not read for one of these reasons:

- The bar code is not positioned properly.
Action: Verify the position of the bar code placed on the imaging guide.
- The bar code quality is poor.
Action: Clean the imaging guides if required.

Press **Stop** or **End** to return to the F65 menu.

Message 3

If the bar code test was successful, the following results will be displayed. Press **Enter** to access each display.

```
W/N = XX. XX : 1  
NEW = .XXXX
```

Press **Enter** to display the next message:

```
RMIN = XXX%  
Contrast = .XXX%
```

Press **Enter** to display the last message:

```
MOD = XXX%  
DEF = XXX% Grade = X
```

Evaluating test results

The results of the Read Rate test will tell you how well your Bar Code Reader is working. The following descriptions and tables will help you determine the results of the bar code test.

Dimensional Fields (Pass or Fail)

W/N — the average ratio of wide element widths to narrow element widths within a bar code. The ratio is calculated for both bars and spaces; the smallest of the two ratios is displayed.

New — the measure of the smallest Narrow-Element Width.

Reflectance Fields (Grades A through F)

RMIN — minimum reflectance. A measure of the lightest element of the bar code.

Contrast — a comparison of the darkest and lightest element of the bar code.

MOD — Modulation. A measure of the consistency of the overall bar code print clarity (all elements), specifically the occurrence of spots (in spaces) and voids (in bars).

DEF — Defect ratio. A measure of the consistency of the individual element print clarity, specifically the occurrence of spots (in spaces) and voids (in bars).

Grade — indicates the overall grade of the bar code evaluation. This grade is based upon the field values that appear in the remainder of the display. The fields which appear in the remainder of the display are either *dimensional* or *reflectance* fields.

Each of the reflectance field values are converted to a letter grade (where *A* is the highest and *F* is the lowest). The lowest letter grade assigned to any one of the reflectance fields is the overall grade assigned to the bar code.

Table 1 illustrates how the dimensional field values are converted to a pass/fail status and the print clarity field values are converted to letter grades:

Table 1 — Bar Code Grades

Field	Grade				
	A (Pass)	B	C	D	F (Fail)
W/N	3:1 to 2:1* 3:1 to 2.2:1**				2:1 to 1:1* 2.2:1 to 1:1**
NEW	0.080 to 0.010				0.009 to 0.000
Contrast	100 to 70	60 to 55	54 to 40	39 to 20	19 to 0
MOD	100 to 70	69 to 60	59 to 50	49 to 40	39 to 0
DEF	0 to 15	16 to 20	21 to 25	26 to 30	31 to 100
RMIN	0 to 49				50 to 100

* Narrow Element Width greater than or equal to 0.020

** Narrow Element Width less than 0.020

Table 2 identifies the most common causes of low bar code ratings/grades.

Table 2 — Common Causes of Low Bar Code Ratings

Field	Problem Type	Cause
W/N NEW	Dimensional	Bar codes not printed according to specifications (refer to Kodak publication <i>Bar Code Made Easy</i> , A-61099).
		Inaccurate measurements due to: <ul style="list-style-type: none"> • Ink smearing (improper curing) • Ink spreading (use of super-absorbent paper) • Use of dot matrix printers (ragged edges)
RMIN CONTRAST	Reflectance	Bar elements are too light often caused by: <ul style="list-style-type: none"> • Use of old ink ribbon • Hammer pressure too light • Defective/dirty print head
		Space elements are too dark often caused by: <ul style="list-style-type: none"> • Dark colored paper background • Stain on paper
MOD	Reflectance	Bar code element edges are ragged rather than straight often caused by use of a dot matrix printer.
DEFECT	Reflectance	Bar elements contain voids (white spots) often caused by: <ul style="list-style-type: none"> • Use of old ink ribbon • Hammer pressure too light • Defective/dirty print head
		Space elements contain dark spots often caused by: <ul style="list-style-type: none"> • Paper with flecks • Ink smearing (improper curing) • Ink spreading (use of super-absorbent paper) • Defective/dirty print head • Toner contamination (if using a laser printer)

Upon completion of the test:

- Remove the bar code from the imaging guide.
- Press **C** to return to normal operation, or press **Stop** to remain in the test environment.

Using the Display option

The Display option allows you to display the decoded value of an individual bar code as it is fed into the transport.

To verify that a bar code is decoded properly:

1. Select **2: DP**.

```
BC Type =  
1: EV   2: DP   3: Rr
```

2. Feed a bar code document into the transport.

One of the following messages will be displayed:

Message 1

```
BC Type =  
?
```

Bar code was not read.

If the display indicates the bar code was not read, it could be for one of the following reasons:

- The type of bar code read was not the type indicated in the status display.
- **Action:** Verify the type of bar code read.
- The bar code was fed in the wrong direction or upside down.
- **Action:** Verify that the bar code was fed correctly.
- The bar code quality is poor.
- **Action:** Perform the required maintenance.

Message 2

```
BC Type =  
*XXXXXXXXXXXXXX
```

This display gives the decoded value of the bar code read (including the *, representing the start character) is equal to or less than 15.

Message 3

```
BC Type =  
*XXXXXXXXXXXXXX
```

This display gives the decoded value of the bar code read (including the *, representing the start character) is greater than 15. To see the remaining value, press **Enter** until all characters have been displayed.

NOTE: For multiple bar codes on a single document, the asterisk denotes the start of each bar code. However, the asterisk can also be displayed within the data if for some reason a character could not be read.

3. When the test is completed, press **C** to return to normal operation, or press **Stop** to remain in the test environment.

Using the Read Rate option

The Read Rate test option establishes the percentage of bar codes read properly. This option is designed to provide a baseline value as well as the current read rate. A comparison of the two values provides a measure of machine performance over time.

When using the Read Rate test option, you can use Kodak Bar Code Standard Test Documents or customer application documents.

To use the Read Rate test option:

1. Select **3: Rr**.

```
BC Type =  
1: EV  2: DP  3: Rr
```

2. Feed at least 100 test documents. As documents are fed into the transport, the *Doc Count* value will increment.

```
BC Type =  
Rate =  % (@100)
```

When finished, the percentage (%) indicates the read rate of the documents just processed.

NOTE: To stop the test and leave the percentages unchanged, press **Stop** before the 100 documents have been processed.

- **If using the Kodak Bar Code Standard Test document** — if the read rate is significantly lower than in the past, this could be caused by a deficiency in the equipment. Perform required maintenance and rerun the test. If the results of the second test are similar to the first, contact Service.
 - **If using customer application documents** — if the read rate is significantly lower than in the past, this could be caused by a deficiency in the bar code quality. Perform the Evaluate option to determine the cause of the test results.
3. When the test is finished, press **C** to return to normal operation, or press **Stop** to remain in the test environment.

Using the Footswitch

The *Kodak Digital Science* Footswitch provides a hands-off method of changing document image levels or performing commonly used function(s). You can change a document image level or perform a commonly used function simply by pressing, pressing and holding, or releasing the Footswitch.

During installation, modes are defined for use with specific applications. The action(s) which are to be performed when the Footswitch is pressed, pressed and held, and/or released, are defined for each mode. In addition, the Footswitch confirmation tone may be enabled/disabled for each mode.

Enabling the confirmation tone

The Footswitch confirmation tone may be used to signal that action has been taken as a result of the Footswitch being pressed or released.

- If your machine is configured for no confirmation tones, then no confirmation tones of any kind will be heard in any mode.
- If your machine is configured to allow confirmation tones, then you can disable (or enable) confirmation tones in any mode as desired.
- If the machine confirmation tones and the Footswitch confirmation tone are enabled during installation for the mode being used, you may enable/disable the Footswitch confirmation tone during normal operations by performing function code F75.

Footswitch Pressed actions

One Footswitch Pressed action can be defined per mode. When you press (and/or release) the Footswitch you can perform one of the following actions. The action that is being performed is dependent upon what is programmed during Mode Setup.

Footswitch Pressed Definition	Action
Next document Level 0	The next document fed into the transport is assigned Level 0.
Next document Level 1	The next document fed into the transport is assigned Level 1.
Next document Level 2	The next document fed into the transport is assigned Level 2.
Next document Level 3	The next document fed into the transport is assigned Level 3.
Increment Level	The next document fed into the transport is assigned the next higher document level (i.e., if the current document is assigned Level 2, the next document is assigned Level 3).

Footswitch Pressed Definition	Action
Sustained Level 0	All documents fed into the transport while the Footswitch is pressed and held are assigned Level 0.
Sustained Level 1	All documents fed into the transport while the Footswitch is pressed and held are assigned Level 1.
Sustained Level 2	All documents fed into the transport while the Footswitch is pressed and held are assigned Level 2.
Sustained Level 3	All documents fed into the transport while the Footswitch is pressed and held are assigned Level 3.
No action Undefined	No action is performed when the Footswitch is pressed.

Footswitch Released actions

One Footswitch Released action can be defined per mode. When the Footswitch is released, one of the following actions will be performed. The action that is being performed is dependent upon what is programmed during Mode Setup.

Footswitch Released Definition	Action
Next document Level 0	The next document fed into the transport is assigned Level 0.
Next document Level 1	The next document fed into the transport is assigned Level 1.
Next document Level 2	The next document fed into the transport is assigned Level 2.
Next document Level 3	The next document fed into the transport is assigned Level 3.
No action Undefined	The action is performed when the Footswitch is released.

Using the Patch Reader

The *Kodak Digital Science* Patch Reader controls document level changes by automatically sensing a pre-defined patch code and changing the document level accordingly.

During installation, modes are defined for use with specific applications. Patch reading may be enabled or disabled for each mode.

Patch types

During installation, the patch type(s) used are defined for each mode. The Patch Reader is capable of reading three types of patches.

Patch III — assigns a Level 3 to the *current* document.



Patch II — assigns a Level 2 to the *current* document.



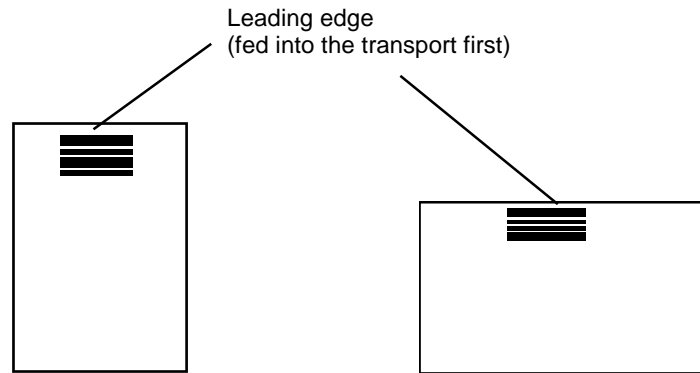
Patch T/Transfer Patch — assigns a predetermined level to the *next* document.



The Transfer Patch Definition is also defined at installation. The Transfer Patch Definition controls the level assigned to the next document when a Transfer Patch is used. For example, if the Transfer Patch Definition for the current mode is defined as Level 3 and a Transfer Patch is used, the next document will be assigned Level 3.

Patch code placement

Patches may appear parallel to the leading edge of the document:



In addition:

- The top of the patch must be more than 0.20 (5 mm) and less than 0.80 inches (20 mm) from the leading edge of the document.
- The bottom of the patch must be no more than 1.6 inches (40 mm) from the leading edge of the document.
- There must be at least 0.20 inches (5 mm) of clear space surrounding the patch on all sides.

Detailed specifications for creating patch codes are provided in Patch Code Information for *Kodak Imagelink* Products (A-61599).

Printing patches

Patches can be printed or placed on a document using preprinted patch labels. A patch can be placed directly on customer documents or blank documents which are interleaved throughout customer documents.

Patch Reading function codes

The following function codes can be enabled (or disabled) when using the Patch Reader accessory.

Enabling patch reading — make sure patch reading is enabled before feeding documents.

- Patch reading may be enabled or disabled at the mode level using function code **F50**.

Enabling the patch reading confirmation tone — the patch code confirmation tone may be used to signal that a patch has been read.

- If your machine is configured for no confirmation tones, then no confirmation tones of any kind will be heard in any mode.
- If your machine is configured to allow confirmation tones, then you can disable (or enable) confirmation tones in any mode as desired.
- If the machine confirmation tones and the patch code confirmation tone are enabled during installation for the mode being used, you may enable/disable the patch code confirmation tone during normal operations by performing function code **F53**.

NOTE: In addition, a patch/bar code confirmation tone may be used to signal that both a patch and a bar code have been detected. This confirmation tone may be enabled or disabled by performing function code **F62**.

Omit Patch Reading on Next Document — if you have enabled patch reading, but do not want to read a patch found on the next document only, perform function code **F54**.

Patch Test — performing a patch test will verify the operation and position of the Patch Reader. No other accessories can be enabled during the patch test. In addition, no imaging, image address changes, level counting, etc. will occur during this test.

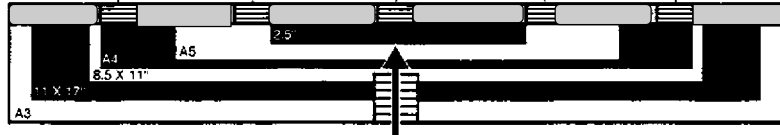
To perform a patch test:

1. Perform function code **F55**. A message will be displayed indicating that the patch test is being performed.
2. Feed a document to verify the operation and position of the Patch Reader.

Changing the horizontal read position

The horizontal read position is set by placing the Patch Reader in one of the five reader positions on the mounting plate.

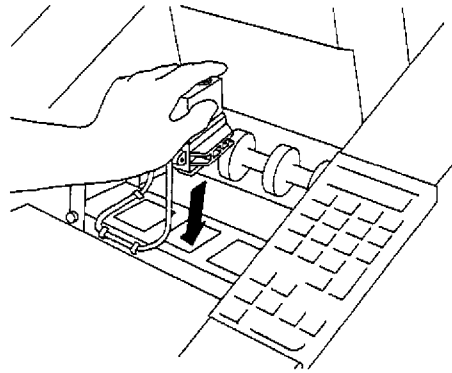
NOTE: The five Patch Reader positions are also indicated with a patch mark on the label on the feed tray.



The Patch Reader is attached to the mounting plate by magnets.

To change the position of the Patch Reader:

1. Lift the Patch Reader off the mounting plate and place it in one of the other four available positions.



2. Perform the Patch Test function (**F55**) to make sure the patches printed on the documents are aligned with the new reader position.

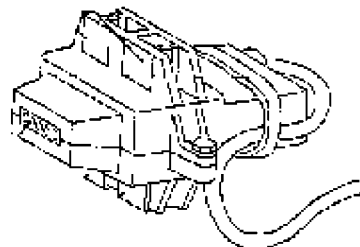
NOTE: The Patch Reader must be removed from the mounting plate when raising the horizontal transport plate during vacuuming or clearing document jams.

CAUTION: Open and close the doors slowly.

Cleaning the Patch Reader

The Patch Reader requires very little maintenance. Periodically wipe to sensor head with a dry, lint-free cloth.

IMPORTANT: *Do not remove the cable tie from the Patch Reader.*



Cable Tie

Sensor Head

Mounting Magnets

Using the Document Printer 5000/7000

The *Kodak Digital Science* Document Printer 5000/7000 is capable of printing customer-specified information on customer documents. Front and/or rear printers are available.

Printed information

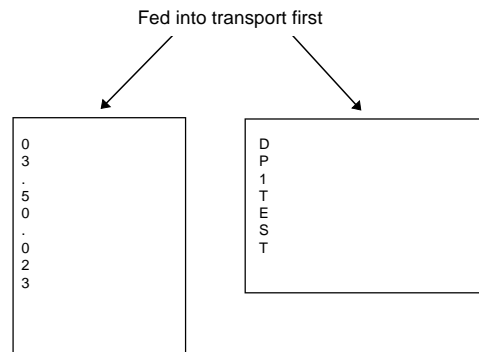
The information printed by the Document Printer is defined during installation.

- Document image address
- Day of the week
- Date
- Time
- Total document count
- Messages 1–9

Any combination of the above items can be printed, provided the total length does not exceed 38 characters.

The Document Printer can print one line per document.

The information printed by the Document Printer appears in a single column perpendicular to the leading edge of the document(s) as shown:



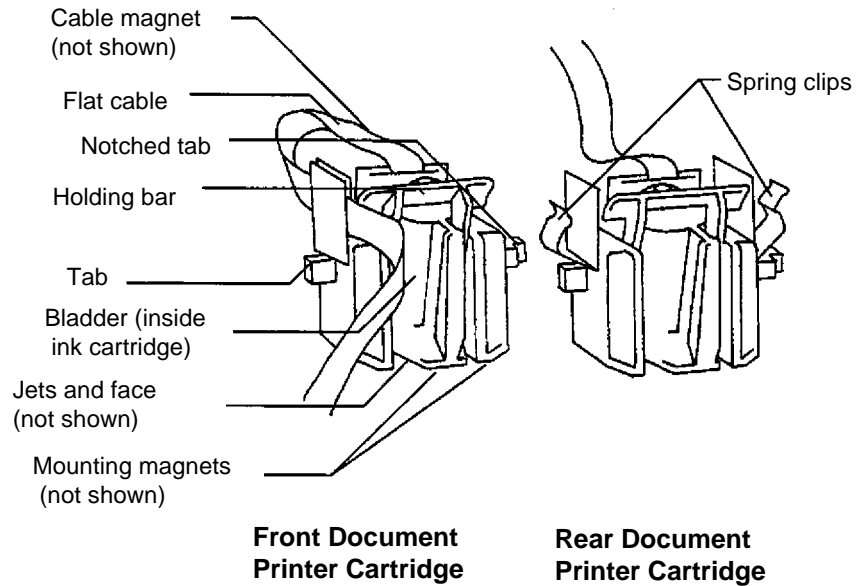
Font size — the Document Printer prints each character in large 12 x 9 or small 8 x 9 dot matrix.

Character orientation — information is printed on each document in one of the following orientations: Cine, Cine 180, Comic and Comic 180. The character orientation is defined for each application mode at installation.

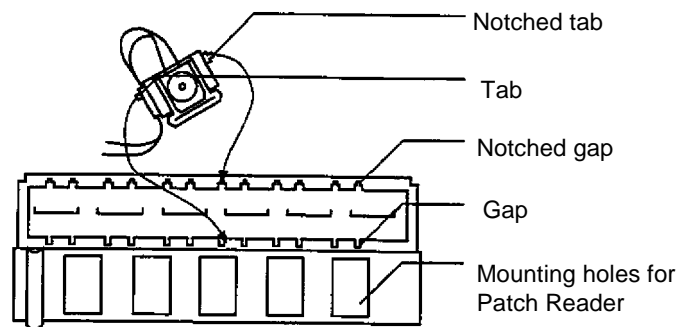
	0		
	8		
	I		
C	E		
I	N		
N	I	COMIC	
E	C		COMIC 180
Cine	Cine 180	Comic	Comic 180

Front and rear Document Printer overviews

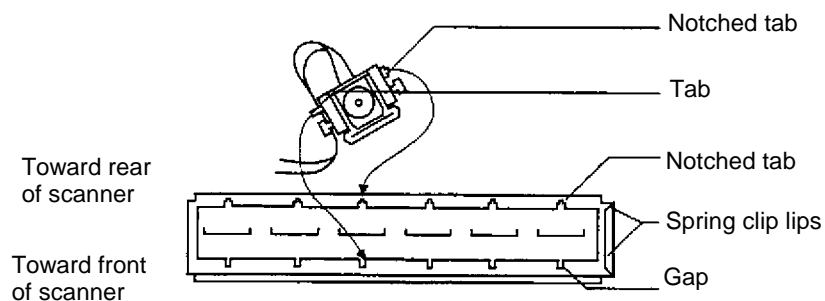
The following illustrations will help you become familiar with the front and rear Document Printer and the mounting plates for the front and rear Document Printer.



Front and Rear Document Printer Mounting Plate Views



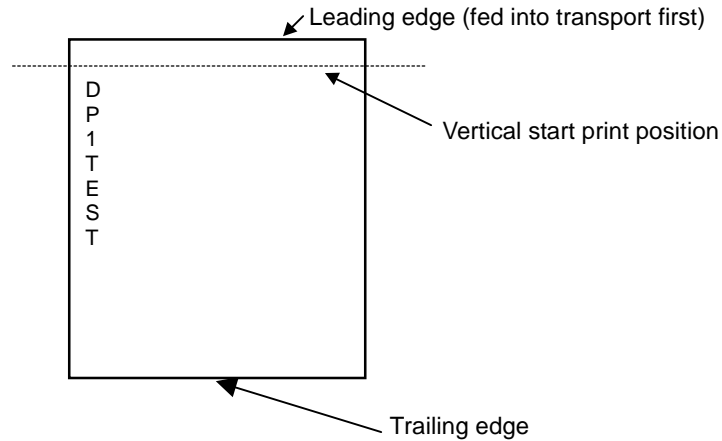
Front Document Printer Mounting Plate



View from rear of scanner

Vertical start print position

The vertical start print position is defined at installation and determines how far the printed information will appear from the leading edge of the document.



NOTE: Printing automatically stops ¼-inch (6.3 mm) from the trailing edge of the document, even if the information has not been completely printed.

Changing the vertical start print position

- Use function code F46 to change the vertical start print position of the front Document Printer.
- Use function code F47 to change the vertical start print position of the rear Document Printer.

To change the vertical start print position:

1. Enter function code **F46** (front Document Printer) or **F47** (rear Document Printer).
2. Press **Enter**.
3. Enter a value between 0.125 to 30 inches (3 to 760 mm) for the desired vertical start print position. The value should not exceed the document length.
4. Press **Enter**.

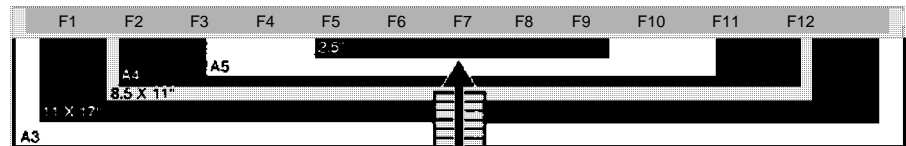
Horizontal print position

The horizontal print position of the front Document Printer is manually set in one of 12 positions on the front Document Printer mounting plate.

The horizontal print position of the rear Document Printer is manually set in one of 6 positions on the rear Document Printer mounting plate.

The 12 front print positions are indicated with F1 through F12. The 6 rear print positions are indicated with F1 through R6 on the label on the feed tray.

Front print positions



To change the horizontal print position:

- Set the printer into the desired print position so the notched tab fits into the detent position on the Document Printer mounting plate.

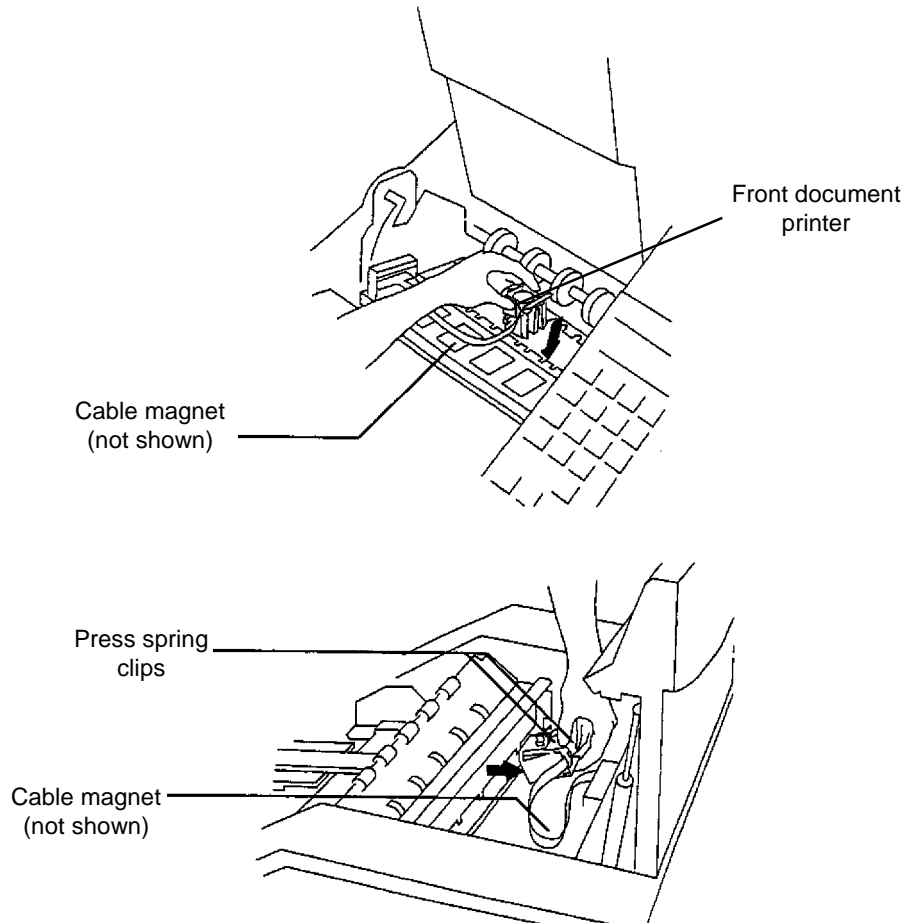
CAUTION: Open and close the lower access door slowly.

NOTE: The front Document Printer is secured to the mounting plate by magnets. The rear Document Printer is secured to the mounting plate with the same magnets and two spring clips.

To remove the rear Document Printer, compress the two spring clips and lift the printer out of the mounting plate.

IMPORTANT: *When repositioning the front Document Printer, be sure the cable magnet is secured to the front Document Printer mounting plate (not on the Patch Reader mounting plate), so the printer flat cable does not interfere with the optical path between the front imaging guide and the front scan module.*

When repositioning the rear Document Printer, be sure that the cable magnet is secure to the rear wall inside the scanner so the printer flat cable does not interfere with the optical path between the rear imaging guide and the rear scan module.



Function codes

The following function codes are available if the Document Printer has been installed and the current application mode allows you to use it.

F40 allows you to enable/disable both the front and rear Document Printers.

F41 allows you to enable/disable the front Document Printer.

F42 allows you to enable/disable the rear Document Printer.

F44 inhibits printing on the next document entering the feeder. This applies to both the front and rear Document Printers.

NOTE: The function codes listed above can be enabled by pressing **1**; or disabled by pressing **0**.

F45 allows you run a print test by verifying the operation, vertical start print position, and print quality.

F46 allows you to change the vertical start print position of the front Document Printer.

F47 allows you to change the vertical start print position of the rear Document Printer.

Using the Print Test function

Function code F45 can be used to run a print test. A print test can verify the operation, vertical start print position, and print quality of the front and rear Document Printers. No other accessories can be enabled during this test. In addition, scanning, image address incrementing, document counting, etc. will not occur during this test.

To perform a print test:

1. Enter function code **F45**.
2. Press **Enter**. A message will be displayed indicating that a print test is being performed.
3. Feed as many documents as needed to verify the operation, position and print quality of the information printed.
4. Press **Stop** when finished.

Cleaning the ink cartridge

Cleaning and priming the ink cartridge will ensure print quality is maintained.

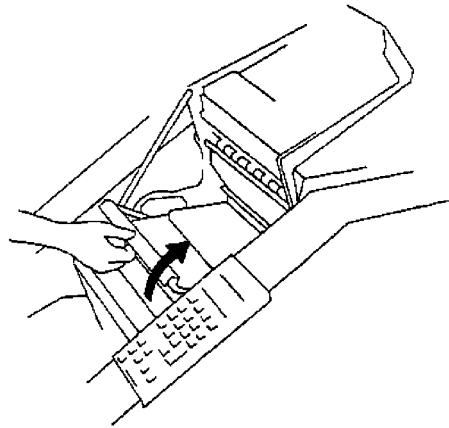
IMPORTANT: *Ink deposits or spills can occur if you are not careful during the priming procedure.*

Front Document Printer

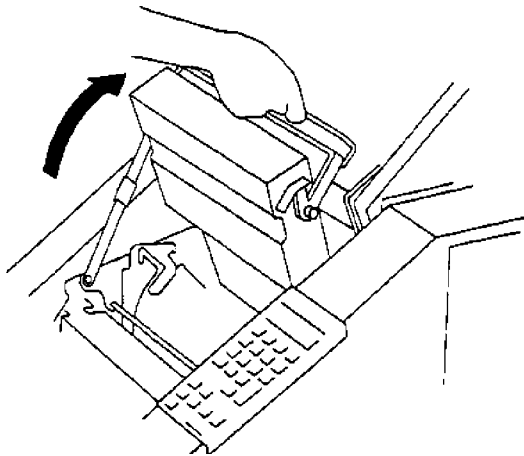
To check the ink supply in the ink cartridge and/or change the ink cartridge follow the steps below:

1. Turn off the power.
2. Open the lower access door.

CAUTION: Open and close the doors slowly.

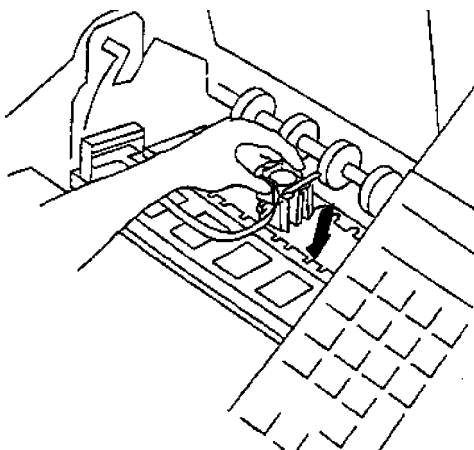


3. Lift the release bar to raise the front scan module.

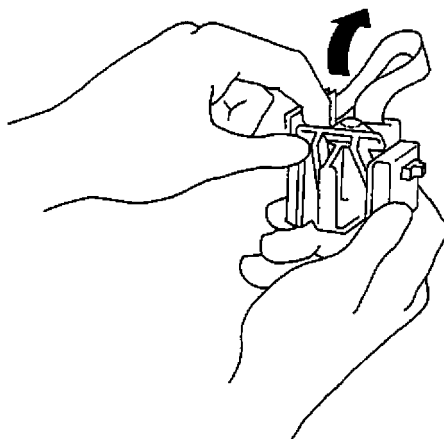


4. Note the current position of the front Document Printer.

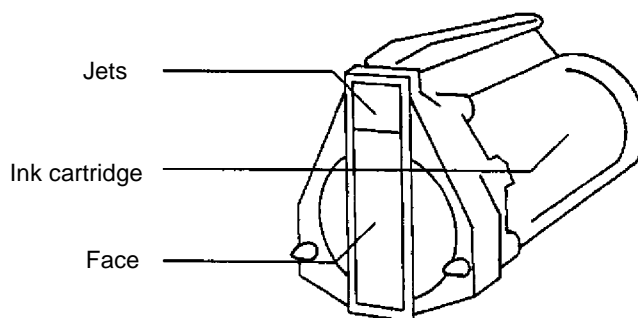
5. Lift and remove the front Document Printer carriage from the front Document Printer mounting plate.



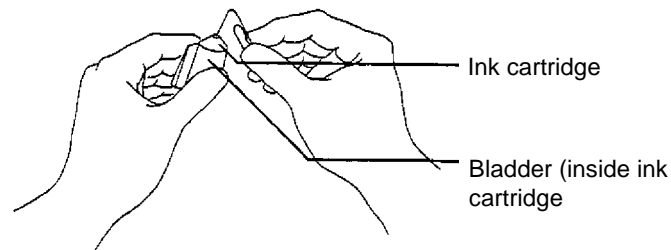
6. Raise the holding bar up from the ink cartridge and carriage.



7. Slide the ink cartridge out of the carriage.
8. Examine the ink cartridge for a deflated bladder. If the bladder appears deflated (out of ink), discard the cartridge, obtain a new cartridge and process with Step 10.
9. Check for any accumulation of ink on the jets or face of the ink cartridge. Wipe any ink from the jets and face with a clean, dampened lint-free cloth.



10. Prime the ink cartridge by carefully inserting the end of a paper clip into the hole at the end of the ink cartridge and gently pushing in on the bladder. Allow a small amount of ink to escape through the jets.

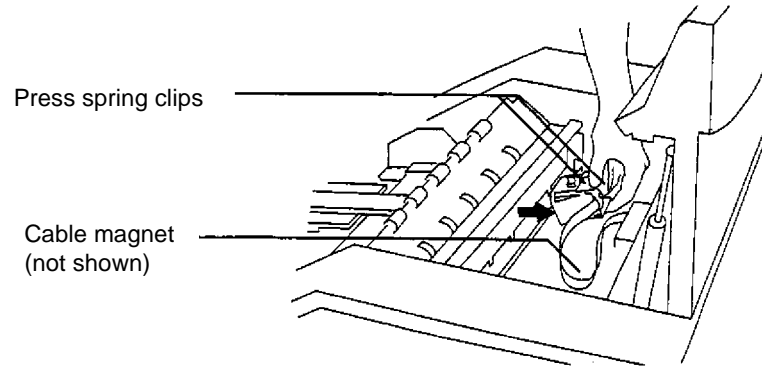


11. Remove the paper clip and observe the ink flow back into the bladder through the jets.
12. Use a dry, lint-free cloth to wipe the face and jets of the ink cartridge.
13. Slide the ink cartridge back into the carriage.
14. Lower the holding bar back down to its original position.
15. If necessary, wipe the carriage clean with a dry, lint-free cloth.
16. Wipe the front Document Printer mounting plate clean of any ink deposits.
17. Place the front Document Printer carriage into the front Document Printer mounting plate.
18. Lower the front scan module.
19. Latch the front scan module by lowering the front scan module release bar.
20. Close the lower access door.
21. Enter function code **F45** to perform a print test.

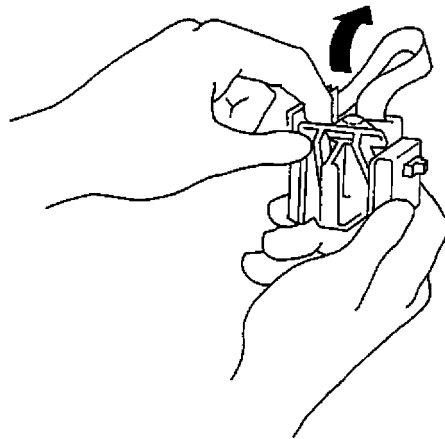
Rear Document Printer

To check the ink supply in the ink cartridge and/or change the ink cartridge follow the steps below:

1. Turn off the power.
2. Open the upper access door.
3. Note the current position of the rear Document Printer.
4. Press the carriage spring clips together to remove the rear Document Printer carriage from the rear Document Printer mounting plate.

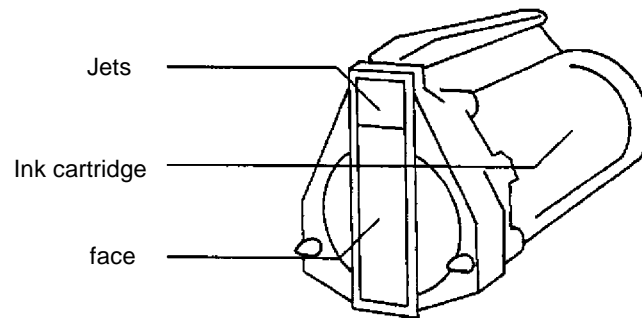


5. Raise the holding bar up from the ink cartridge and carriage.

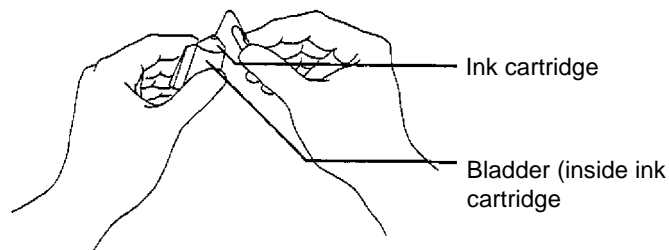


6. Slide the ink cartridge out of the carriage.
7. Examine the ink cartridge for a deflated bladder. If the bladder appears deflated (out of ink) discard the cartridge, obtain a new cartridge and process with Step 9.

8. Check for any accumulation of ink on the jets or face of the ink cartridge. Wipe any ink from the jets and face with a clean, dampened lint-free cloth.



9. Prime the ink cartridge by carefully inserting the end of a paper clip into the hole at the end of the ink cartridge and gently push in on the bladder. Allow a small amount of ink to escape through the jets.



10. Remove the paper clip and observe the ink flow back into the bladder through the jets.
11. Use a dry, lint-free cloth to wipe the face and jets of the ink cartridge.
12. Slide the ink cartridge back into the carriage.
13. Lower the holding bar back down to its original position.
14. If necessary, wipe the carriage clean with a dry, lint-free cloth.
15. Wipe the rear Document Printer mounting plate clean of any ink deposits.
16. Press the carriage spring clips together to place the rear Document Printer carriage into the rear Document Printer mounting plate.
17. Close the upper access door.
18. Enter function code **F45** to perform a print test.

Replacing the ink cartridge

Replace the ink cartridge when any of the following conditions occur:

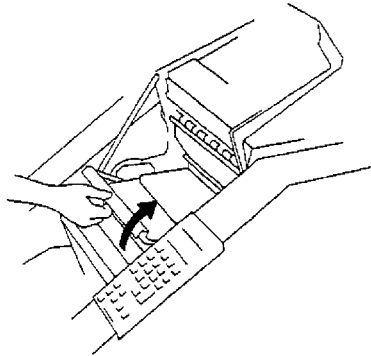
- The ink bladder appears shrunken or deflated.
- The printed characters appear light or uneven.
- Missing characters are evident.
- The print test function reveals inconsistent character quality.
- The cleaning and priming procedure has not improved the overall print quality.

Replacing the front Document Printer ink cartridge

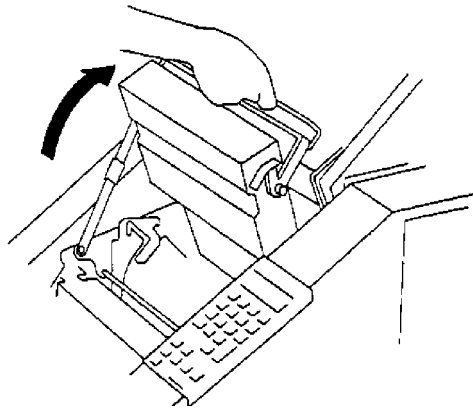
To replace the front Document Printer ink cartridge:

1. Turn off the power.
2. Open the lower access door.

CAUTION: Open and close the doors slowly.

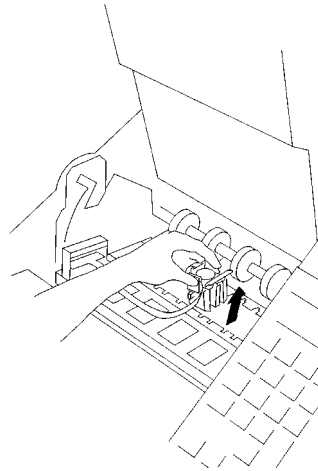


3. Lift the release bar to raise the front scan module.

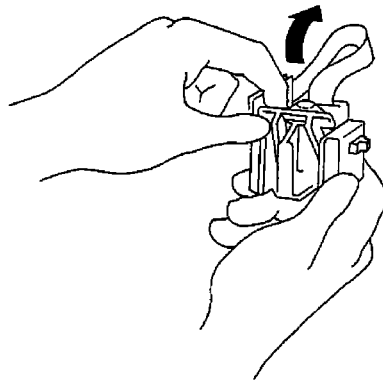


4. Note the current position of the front Document Printer.

5. Lift and remove the front Document Printer carriage from the front Document Printer mounting plate.



6. Raise the holding bar.

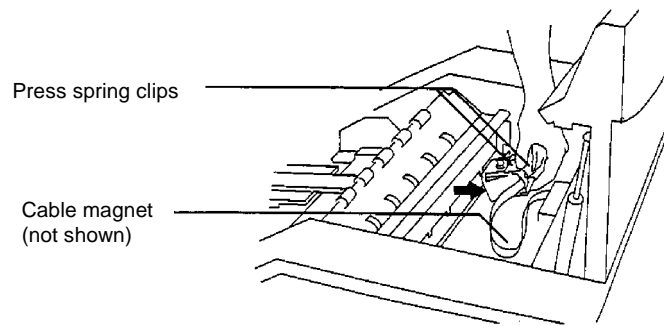


7. Slide the ink cartridge out of the carriage.
8. Discard the cartridge and obtain a new cartridge.
9. Slide the ink cartridge into the carriage.
10. Lower the holding bar back down to its original position.
11. If necessary, wipe the carriage clean with a dry, lint-free cloth.
12. Wipe the front Document Printer mounting plate clean of any ink deposits.
13. Place the front Document Printer carriage into the front Document Printer mounting plate.
14. Lower the front scan module.
15. Latch the front scan module by lowering the front scan module release bar.
16. Close the lower access door.
17. Enter function code **F45** to perform a print test.

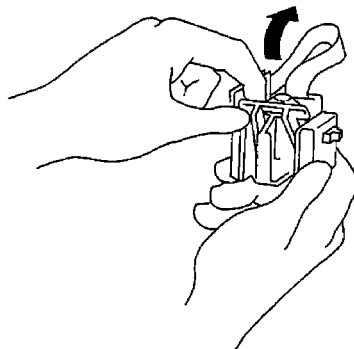
Replacing the rear Document Printer ink cartridge

To replace the rear Document Printer ink cartridge:

1. Turn off the power.
2. Open the upper access door.
3. Note the current position of the rear Document Printer.
4. Press the carriage spring clips together to remove the rear Document Printer carriage from the rear Document Printer mounting plate.



5. Raise the holding bar up from the ink cartridge and carriage.



6. Slide the ink cartridge out of the carriage.
7. Discard the cartridge and obtain a new cartridge.
8. Slide the ink cartridge into the carriage.
9. Lower the holding bar back down to its original position.
10. If necessary, wipe the carriage clean with a dry, lint-free cloth.
11. Wipe the rear Document Printer mounting plate clean of any ink deposits.
12. Press the carriage spring clips together to place the rear Document Printer carriage into the rear Document Printer mounting plate.
13. Close the lower access door.
14. Enter function code **F45** to perform a print test.

Appendix A Basic Concepts

This appendix provides the basic concepts associated with scanning documents.

Modes

The scanner offers 18 modes that can be defined for a particular application or group of applications.

When you select a mode for use with a particular application, you are selecting the format/appearance of the output. Each mode is comprised of definitions that affect the output of the scanner. Required mode definitions include index format, level to follow level rules, etc. Optional mode definitions include a variety of accessory options, such as turning the Footswitch on or off, etc. Mode definitions are established during installation.

Many optional mode definitions established during installation can be overridden using function codes. The overrides are temporary, unless during installation, it is specified that the mode overrides be saved. After executing a function that overrides a prior definition, a plus sign (+) appears in the first line of the status display if the mode overrides are saved.

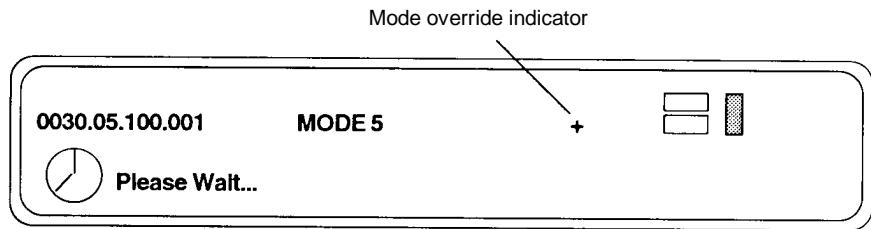


Image addresses

An image address is assigned to every document scanned. An image address is composed of four fields, each representing a different document level. An image address has a maximum length of 15 characters; 12 alphanumerics (field A, field B, and field C must be numeric; the fixed field may contain alphanumerics) and 3 delimiters (inserted between fields).

The image address (number of fields and characters) is based on the indexing scheme chosen (refer to the section entitled "Indexing schemes" later in this appendix).

For each mode, regardless of the indexing scheme used, the following four fields must be defined during installation:

- Field A. A numeric field representing document Level 1. Its value is incremented whenever a document is assigned Level 1.
- Field B. A numeric field representing document Level 2. Its value is incremented whenever a document is assigned Level 2.
- Field C. A numeric field representing document Level 3. Its value is incremented whenever a document is assigned Level 3.
- Fixed field. An alphanumeric field containing fixed information; typically, the date.

An example of an image address is:

1201.01.020.005

where:

- Field A (Level 1) contains 005
- Field B (Level 2) contains 020
- Field C (Level 3) contains 01
- Fixed field contains 1201

Assigning an image address

An image address may be assigned or changed by pressing the **Next** key or by entering function code **F97**. The Next key (or function code F97) is used when setting/changing any or all of the image address fields. Function code F92 is used when setting/changing only the fixed field of the image address.

Using the Next key

Press **Next** (or enter function code F97) to set or change an image address function code.

The next image address is displayed. A cursor appears over the first character of the next image address. Enter the desired image address or use the left (←) and right (→) arrow keys to position the entry cursor over the character to be set/changed and enter the desired value. The plus key (+) may also be used to move the entry cursor to the first character in the next image address field, without changing the current image address field.

The numeric keys (0 - 9) and the decimal key have dedicated keys on the keyboard and can be entered directly.

For example, perform the following steps to change the image address from 1201.01.020.005 to 1201.02.000.000.

- Press **Next** or enter function code **F97**. The cursor will appear over the first fixed field character (1201.01.020.005).
- Press **+** (plus key) to leave the image address field (1201) unchanged.
- Enter **.02.000.000**.
- Press **Enter** to exit, saving the changes to the image address and return to a normal operating display.

Using Function Code F92

Function code F92 allows you to set or change the image address fixed field.

The number of characters in the image address fixed field is defined during installation for each mode. Using F92, you will not be allowed to enter more than the predefined number of characters.

The fixed field of the image address will be displayed. An entry cursor will appear over the first character of the fixed field.

To enter numeric characters, input the desired value using the numeric keys (0 to 9) on the keyboard and press **Enter** to input the value.

To enter alpha characters, enter the alpha entry mode by pressing either the Up or Down arrow key. A portion of the alpha character set will be displayed with a flashing cursor appearing over one of the characters. If the desired alpha character does not appear in the display, press either the Up or Down arrow key to display another portion of the alphabet.

The alpha character set is composed of: uppercase English characters (A-Z), a space (), seven special characters (\$ * - : < > +), “a” dieresis (ä), beta (ß), “n” tilde (ñ), “o” dieresis (ö), and “u” dieresis (ü).

NOTE: The plus sign cannot be input as the first character in the fixed field.

Once the desired alpha character appears in the display, it may be selected for input into the fixed field. To input the desired alpha character, use the Left or Right arrow key to move the flashing cursor over the desired alpha character. Press **Enter** to place the alpha character into the fixed field.

Repeat the above process to enter each fixed field character.

For example, perform the following steps to change from 1201 to change it to DEC5:

1. Enter function code **F92**. The entry cursor appears over the first fixed field character (1201).
2. Press the Up or Down arrow key to enter alpha entry mode.
3. If the letter D is not displayed, press the Up or Down arrow key until it is displayed.
4. Use the Left or Right arrow key to position the flashing cursor over the letter D.
5. Press **Enter** to place the letter D in the first fixed field character position. Only the letter D appears in the display, with the entry cursor appearing in the next character position.
6. Press the Up or Down arrow key to enter alpha entry mode.
7. If the letter E is not displayed, press the up or down arrow key until it is displayed.
8. Use the Left or Right arrow key to position the flashing cursor over the letter E.
9. Press **Enter** to place the letter E in the second fixed field character position. The letters DE appear in the display, with the entry cursor appearing in the next character position.
10. Press the Up or Down arrow key to enter alpha entry mode.
11. If the letter C is not displayed, press the Up or Down arrow key until it is displayed.
12. Use the Left or Right arrow key to position the flashing cursor over the letter C.
13. Press **Enter** to place the letter C in the third fixed field character position. The letters DEC appear in the display, with the entry cursor appearing in the next character position.
14. Press **5** to place the number 5 in the fourth fixed field character position.
15. Press **Enter** to exit function code F92 and save the changes to the image address.

Image address formats

The image address may be displayed in the status display, and printed on the original documents as they are transported through the system. The format in which the image address appears when displayed, written, or printed is defined during installation for each mode.

The written/printed image address may appear in one of three formats:

- Display leading zeros format (e.g., 004.003.002.001)
- Suppress leading zeros format (e.g., 004.3.2.1)
- Compress leading zeros format (e.g., 004.3.2.1)

NOTE: The format chosen does not affect the fixed field of the image address; it is always displayed and printed in its entirety.

Indexing schemes

Documents are scanned to record the information contained on them in an easily accessible form.

An indexing scheme is used to access or retrieve the information recorded and is defined during installation for each mode.

The scanner offers the following indexing schemes:

- Single level
- Two level
- Two level offset
- Three level
- Three level offset

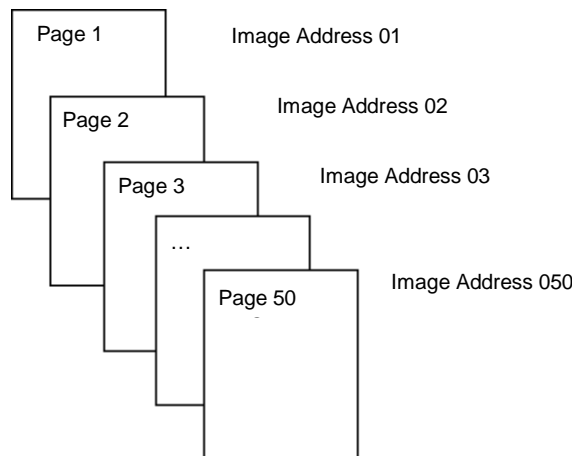
Single level indexing

When using single level indexing, the image address assigned to each document is defined as follows:

- Field A (Level 1) is defined as having a field length greater than 0
- Field B (Level 2) is defined as having a field length of 0
- Field C (Level 3) is defined as having a field length of 0
- Fixed field may be defined, if desired

For example, if you scan a book with 50 pages, the image address has been defined:

- Field A has a field length of 3 characters
- Field B has 0 characters
- Field C has 0 characters
- Fixed Field has 0 characters



The first page is assigned image address 001. The second page is assigned image address 002, and so on, through the remainder of the book.

Any one of the 50 pages may later be located and retrieved using its unique image address.

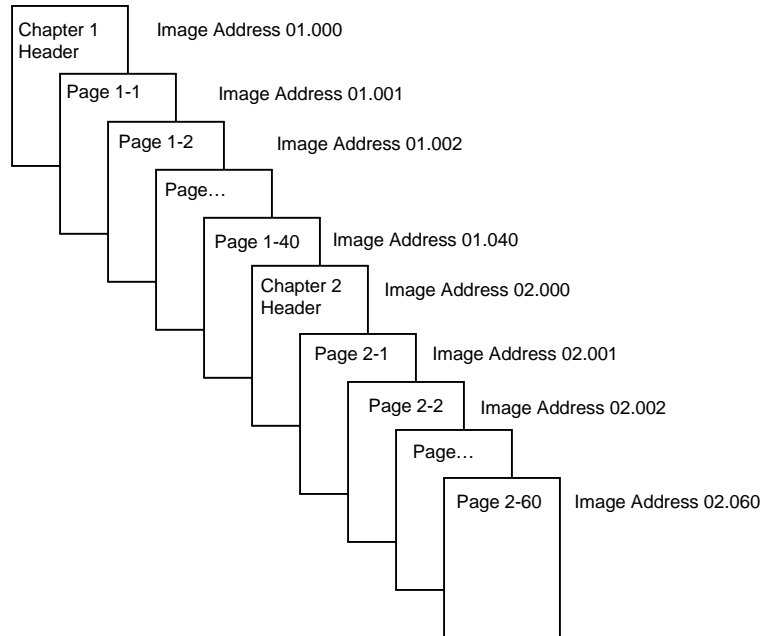
Two level indexing

When using two level indexing, the image address assigned to each document is defined as follows:

- Field A (Level 1) is defined as having a field length greater than 0
- Field B (Level 2) is defined as having a field length greater than 0
- Field C (Level 3) is defined as having a field length of 0
- Fixed field may be defined, if desired

For example, if you scan a book with 2 chapters (Chapter 1 has 40 pages and Chapter 2 has 60 pages) the image address has been defined:

- Field A has 3 characters
- Field B has 2 characters
- Field C has 0 characters
- Fixed field has 0 characters



The header page for Chapter 1 is assigned image address 01.000. The first page of Chapter 1 is assigned image address 01.001; the second page is assigned image address 01.002, and so on through Chapter 1.

The header page for Chapter 2 is assigned image address 02.000. The first page of Chapter 2 is assigned image address 02.001; the second page is assigned image address 02.002, and so on through Chapter 2.

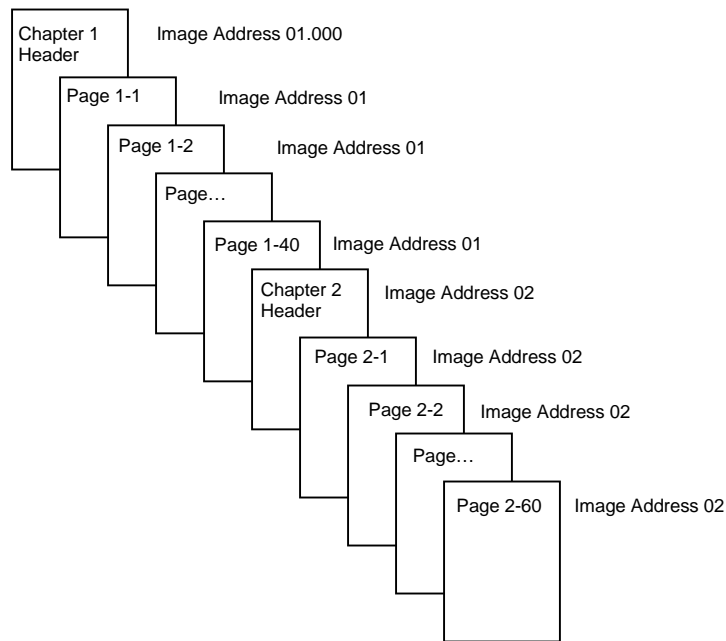
Any one of the pages may later be located and retrieved using its unique image address.

Two level offset indexing When using two level offset indexing, the image address assigned to each document is defined as follows:

- Field A (Level 1) is defined as having a field length of 0
- Field B (Level 2) is defined as having a field length greater than 0
- Field C (Level 3) is defined as having a field length of 0
- Fixed field may be defined, if desired

For example, if you scan a book with 2 chapters (Chapter 1 has 40 pages and Chapter 2 has 60 pages), the image address has been defined:

- Field A has 0 characters
- Field B has 2 characters
- Field C has 0 characters
- Fixed field has 0 characters



The header page for Chapter 1 is assigned image address 01. The remaining pages of Chapter 1 are also assigned image address 01.

The header page for Chapter 2 is assigned image address 02. The remaining pages of Chapter 2 are also assigned image address 02.

Either one of the chapter header pages may later be located and retrieved using its unique image address. Pages within a chapter may be located and retrieved by first finding the chapter header and then manually scrolling through the remaining pages of the chapter.

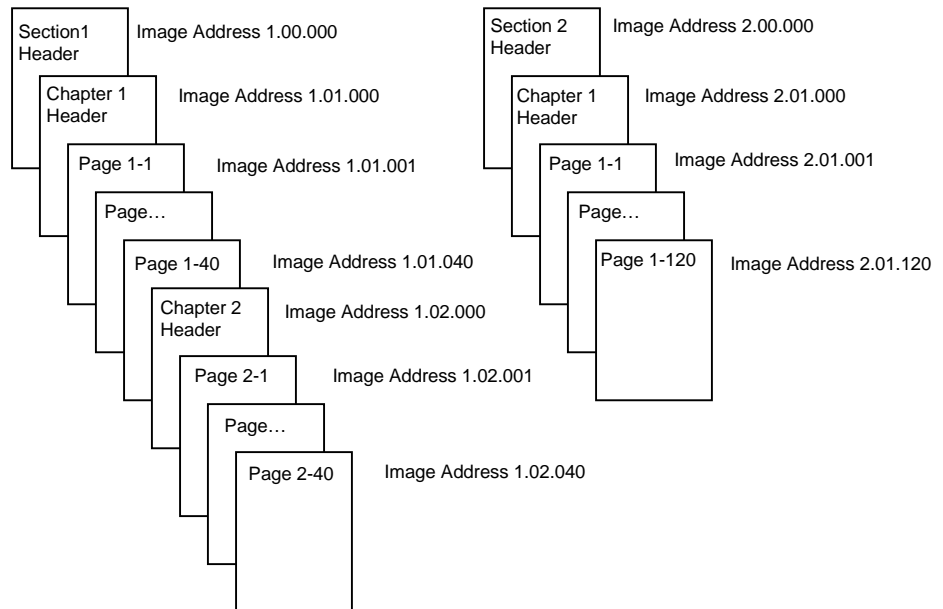
Three level indexing

When using three level indexing, the image address assigned to each document is defined as follows:

- Field A (Level 1) is defined as having a field length greater than 0
- Field B (Level 2) is defined as having a field length greater than 0
- Field C (Level 3) is defined as having a field length greater than 0
- Fixed field may be defined, if desired

For example, if you scan a book with two sections (Section 1 contains 2 chapters, each having 40 pages; Section 2 contains only 1 chapter, having 120 pages) the image address has been defined:

- Field A has 3 characters
- Field B has 2 characters
- Field C has 1 character
- Fixed field has 0 characters



The header page for Section 1 is assigned image address 1.00.000. The header page for Chapter 1 of the section is assigned image address 1.01.000. The pages within the Chapter are assigned image address(es) 1.01.001 through 1.01.040. The header page for Chapter 2 of the section is assigned image address 1.02.000. The pages within the chapter are assigned image address(es) 1.02.001 through 1.02.040.

The header page for Section 2 is assigned image address 2.00.000. The header page for Chapter 1 of the section is assigned image address 2.01.000. The pages within the chapter are assigned image address(es) 2.01.001 through 2.01.120.

Any one of the pages may later be located and retrieved using its unique image address.

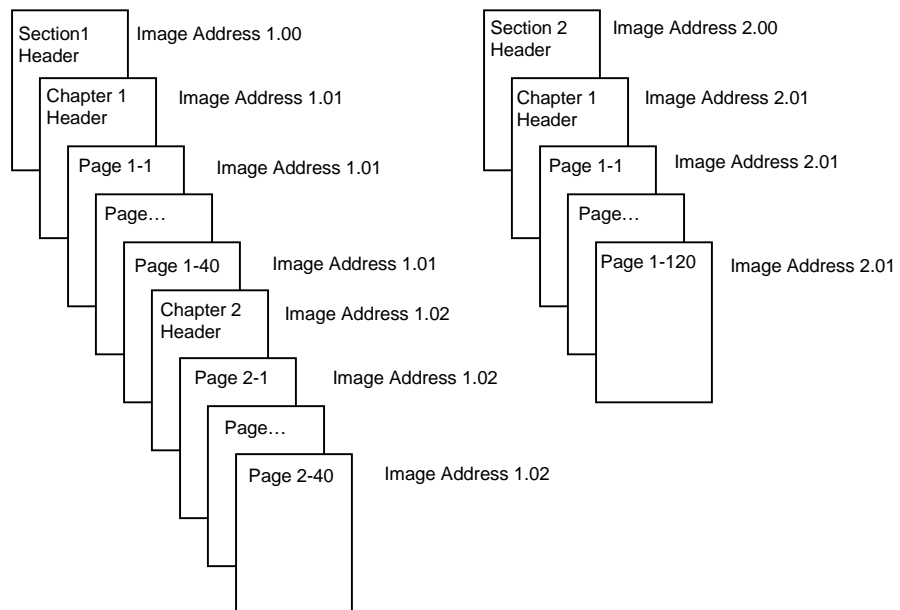
Three level offset indexing

When using three level offset indexing, the image address assigned to each document is defined as follows:

- Field A (Level 1) is defined as having a field length of 0
- Field B (Level 2) is defined as having a field length greater than 0
- Field C (Level 3) is defined as having a field length greater than 0
- Fixed field may be defined, if desired

For example, if you scan a book with two sections (Section 1 contains 2 chapters, each having 40 pages; Section 2 contains only 1 chapter, having 120 pages) the image address has been defined:

- Field A has 0 characters
- Field B has 2 characters
- Field C has 1 character
- Fixed field has 0 characters



The header page for Section 1 is assigned image address 1.00. The header page for Chapter 1 of the section is assigned image address 1.01. The remaining pages of Chapter 1 are also assigned image address 1.01. The header page for Chapter 2 of the section is assigned image address 1.02. The remaining pages of Chapter 2 are also assigned image address 1.02.

The header page for Section 2 is assigned image address 2.00. The header page for Chapter 1 of the section is assigned image address 2.01. The remaining pages of Chapter 1 are also assigned image address 2.01.

Either one of the section header or chapter header pages may later be located and retrieved using its unique image address. Pages within a chapter may later be located and retrieved by first finding the chapter header and then manually scrolling through the remaining pages of the chapter.

Controlling document level changes

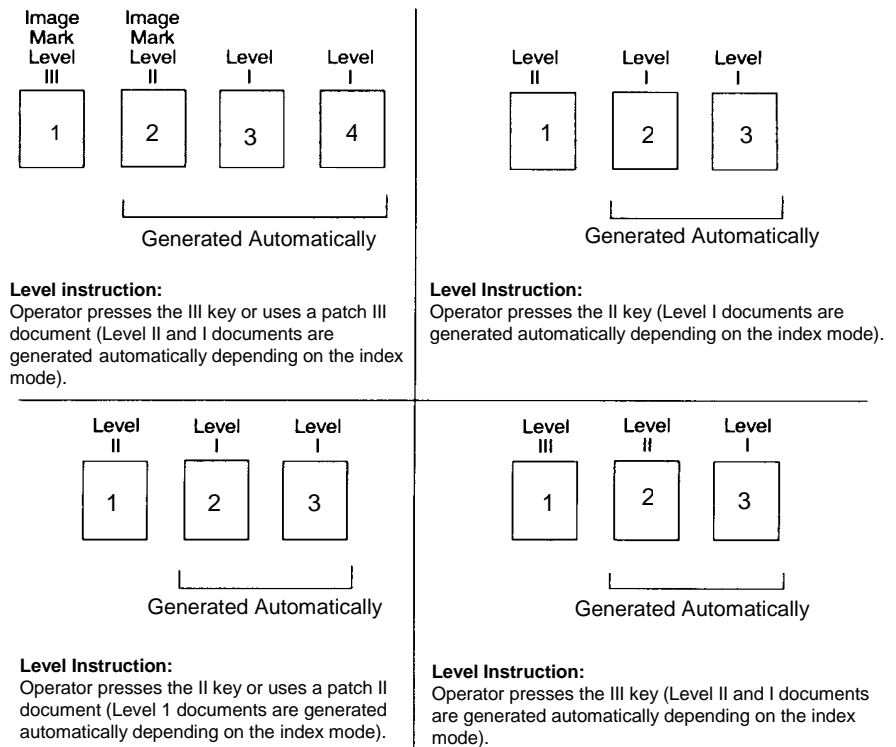
The previous Indexing Schemes examples have illustrated how document levels change within a single group of documents. There are four document image levels: 3, 2, 1, and 0.

There are a number of ways in which you can set or change the document level:

- You may press a document level key on the control panel to assign a document Level 3, 2, or 1.
- You may use function code F07 to assign a document Level 0.
- You may use the optional *Kodak Digital Science Footswitch* accessory; pressing, pressing and holding, or releasing the Footswitch can change document levels.
- You may use the optional *Kodak Digital Science Patch Reader* accessory; feeding a document containing a particular type of patch can change document levels.

If you do not set or change the document level using one of the methods listed, the document level will be set automatically based upon the level rules (i.e., Level 2 is followed by Level 1, etc.) defined during installation for each mode.

The following diagram illustrates how document levels are set or changed:



Document level information is transmitted in each image header file. See the Integrator's Guide for more information.

Special considerations

Checking the meters

It is useful to check the meters to determine maintenance schedules and the length of time required to complete a job.

To view the run time display, enter function code **F17**. The display shows three meters:

- Meter A shows the number of motor-on hours
- Meter B shows the number of transport-on hours
- Meter C shows the number of AC-on hours

Press **C** (Clear) to clear the display.

EASTMAN KODAK COMPANY
Document Imaging
Rochester, New York 14650

Kodak, Digital Science and the ds
monogram symbol, and Imagelink are
trademarks of Eastman Kodak Company.

Printed on recycled paper.

A-61070 9/99
©Eastman Kodak Company, 1999
Printed in U.S.A.

DOCUMENT
IMAGING

