



# Kodak

## ScanMate i1150/i1180 Scanners

### User's Guide

User's Guide on Installation Disk  
Guide de l'utilisateur sur le disque d'installation  
Benutzerhandbuch auf dem Installationsdatenträger  
Guida dell'utente su Disco di installazione  
Guía del usuario en el disco de instalación  
Guia do Usuário no disco de instalação  
Gebruikershandleiding voor installatieschijf  
Kullanım Kılavuzu Kurulum Diskinde  
Uživatelská příručka na instalačním disku  
安裝光碟中的用戶指南  
インストールディスクのユーザーズガイド  
설치 디스크의 사용자 안내서  
دليل المستخدم في قرص التثبيت  
Руководство пользователя на установочном диске  
Ghid de utilizare pe discul de instalare  
Felhasználói útmutató a telepítőlemezen  
Podręcznik użytkownika na dysku instalacyjnym  
Οδηγός χρήστη στον δίσκο εγκατάστασης

## 3rd Party Licenses

This software is based in part on the work of the Independent JPEG Group

Copyright (C)2009-2013 D. R. Commander. All Rights Reserved.

Redistribution and use in source and binary forms, with or without modification, are permitted provided that the following conditions are met:

- Redistributions of source code must retain the above copyright notice, this list of conditions and the following disclaimer.
- Redistributions in binary form must reproduce the above copyright notice, this list of conditions and the following disclaimer in the documentation and/or other materials provided with the distribution.
- Neither the name of the libjpeg-turbo Project nor the names of its contributors may be used to endorse or promote products derived from this software without specific prior written permission.

THIS SOFTWARE IS PROVIDED BY THE COPYRIGHT HOLDERS AND CONTRIBUTORS "AS IS", AND ANY EXPRESS OR IMPLIED WARRANTIES, INCLUDING, BUT NOT LIMITED TO, THE IMPLIED WARRANTIES OF MERCHANTABILITY AND FITNESS FOR A PARTICULAR PURPOSE ARE DISCLAIMED. IN NO EVENT SHALL THE COPYRIGHT HOLDERS OR CONTRIBUTORS BE LIABLE FOR ANY DIRECT, INDIRECT, INCIDENTAL, SPECIAL, EXEMPLARY, OR CONSEQUENTIAL DAMAGES (INCLUDING, BUT NOT LIMITED TO, PROCUREMENT OF SUBSTITUTE GOODS OR SERVICES; LOSS OF USE, DATA, OR PROFITS; OR BUSINESS INTERRUPTION) HOWEVER CAUSED AND ON ANY THEORY OF LIABILITY, WHETHER IN CONTRACT, STRICT LIABILITY, OR TORT (INCLUDING NEGLIGENCE OR OTHERWISE) ARISING IN ANY WAY OUT OF THE USE OF THIS SOFTWARE, EVEN IF ADVISED OF THE POSSIBILITY OF SUCH DAMAGE.

# Safety

---

## User Precautions

- Place the scanner on a sturdy, level work surface capable of supporting 3.2 kg (7 lbs).
- Do not install the scanner in a location subject to dust, humidity or steam. This may cause electrical shock or a fire. Only use the scanner and power supply indoors in a dry location.
- Make sure the electrical power outlet is located within 1.52 meters (5 feet) of the scanner and is easily accessible.
- Be sure the power adapter is securely plugged into the wall outlet. Failure to do so may cause electrical shock or fire.
- Do not damage, knot, cut or modify the power cord. This may cause electrical shock or fire.
- Use only the AC adapter that is supplied with the scanner. Do not use the scanner's AC adapter with any other product. This may cause electrical shock or fire.
- Leave sufficient space around the power outlet so it can be easily unplugged in case of an emergency.
- Do not use the scanner if it becomes inordinately hot, has a strange odor, emits smoke, or makes unfamiliar noises. Immediately stop the scanner and disconnect the power cord from the power outlet. Contact Kodak Service.
- Do not disassemble or modify the scanner or the AC power adapter.
- Do not move the scanner with the power cord and interface cable attached. This may cause damage to the cord/cable. Remove the power cord from the wall outlet before moving the scanner.
- Follow the Kodak recommended cleaning procedures. Do not use air, liquid or gas spray cleaners. These cleaners displace dust, dirt and debris to another location within the scanner, which may cause the scanner to malfunction.
- Material Safety Data Sheets (MSDS) for chemical products are available on the Kodak website at: [www.kodakalaris.com/go/msds](http://www.kodakalaris.com/go/msds). When accessing the MSDSs from the website, you will be required to provide the catalog number of the consumable you want the Material Safety Data Sheet for. See the section entitled, "Supplies and consumables" later in this guide for supplies and catalog numbers.
- This device is not intended for use in the direct field of view at visual display workplaces. To avoid incommoding reflexions at visual display workplaces this device must not be placed in the direct field of view.

## Environmental information

- The *Kodak ScanMate* i1150/i1180 Scanners are designed to meet worldwide environmental requirements.
- Guidelines are available for the disposal of consumable items that are replaced during maintenance or service; follow local regulations or contact Kodak locally for more information.
- Disposal of this equipment may be regulated due to environmental considerations. For disposal or recycling information, contact your local authorities or, in the USA, visit: [www.kodakalaris.com/go/scannerrecycling](http://www.kodakalaris.com/go/scannerrecycling).
- The product packaging is recyclable.
- Parts are designed for reuse and recycling.
- The *Kodak ScanMate* i1150/i1180 Scanners are Energy Star compliant and are shipped from the factory with the default time set to 15 minutes.

## European Union



This symbol indicates that when the last user wishes to discard this product, it must be sent to appropriate facilities for recovery and recycling. Please contact your local Kodak representative or refer to [www.kodakalaris.com/go/recycle](http://www.kodakalaris.com/go/recycle) for additional information on the collection and recovery programs available for this product.

Please consult [www.kodakalaris.com/go/REACH](http://www.kodakalaris.com/go/REACH) for information about the presence of substances included on the candidate list according to article 59(1) of Regulation (EC) No. 1907/2006 (REACH).

## Acoustic emission

Maschinenlärminformationsverordnung – 3, GSGV  
Der arbeitsplatzbezogene Emissionswert beträgt <70 dB(A).

[Machine Noise Information Ordinance — 3, GSGV  
The operator-position noise emission value is <70 dB(A).]

## EMC statements

**United States:** This equipment has been tested and found to comply with the limits for a Class B digital device pursuant to Part 15 of the FCC rules. These limits are designed to provide reasonable protection against harmful interference in a residential installation. This equipment generates, uses, and can radiate radio frequency energy and, if not installed and used in accordance with the instruction manual, may cause harmful interference to radio communications. However, there is no guarantee that interference will not occur in a particular installation. If this equipment does cause harmful interference to radio or television reception, which can be determined by turning the equipment off and on, the user is encouraged to try to correct the interference by one or more of these measures:

- Reorient or relocate the receiving antenna.
- Increase the separation between the equipment and receiver.
- Connect the equipment into an outlet on a circuit different from that to which the receiver is connected.
- Consult the dealer or an experienced radio/TV technician for additional suggestions.

Any changes or modifications not expressly approved by the party responsible for compliance could void the user's authority to operate the equipment. Where shielded interface cables have been provided with the product or specified additional components or accessories elsewhere defined to be used with the installation of the product, they must be used in order to ensure compliance with FCC regulation.

**Korea:** As this equipment has obtained EMC registration for household use, it can be used in an area including residential areas.

이 기기는 가정용으로 전자파적합등록을 한 기기로서 주거지역에서는 물론 모든 지역에서 사용할 수 있습니다.

**OVERVIEW**

**1-1**

**INSTALLATION**

**2-1**

**SCANNING**

**3-1**

**MAINTENANCE**

**4-1**

**TROUBLESHOOTING**

**5-1**

**APPENDICES**

**A & B**

# 1 Overview

---

## Contents

Supporting documentation .....	1-2
Accessories.....	1-2
What's in the box .....	1-2
Scanner components .....	1-3

The *Kodak ScanMate i1150/i1180* Scanners are compact document scanners perfect for personal and desktop workgroups. Both scanner models include Smart Touch functionality which allows you to send your documents to email, print or various applications with the touch of a button. The i1150/i1180 Scanners also support the optional *Kodak A3 Size Flatbed Accessory* or *Kodak Legal Size Flatbed Accessory*.



Both scanners employ proximity touch technology which allows you to initiate an action (e.g., start scanning or scroll through Smart Touch options) without actually pressing the Start/Scroll buttons.

- **Kodak ScanMate i1150 Scanner** — duplex scanner that scans 25 pages per minute at 200 and 300 dpi in black and white, color and grayscale with “burst” capability allowing the first 10 documents to be processed at 40 pages per minute. The i1150 Scanner allows you to scan 50 documents at a time and the dual LED indirect light provides excellent image quality.
- **Kodak ScanMate i1180 Scanner** — duplex scanner that scans 40 pages per minute at 200 and 300 dpi in black and white, color and grayscale. The i1180 Scanner allows you to scan 50 documents at a time and the dual LED indirect light provides excellent image quality.

NOTE: This User's Guide provides information and procedures for the *Kodak ScanMate i1150* and *i1180* Scanner. The information in this guide is for use with both scanners unless otherwise noted.

## Supporting documentation

In addition to this User's Guide, the following documentation is also available:

- **Installation Guide** — provides a step-by-step procedure for installing the scanner.
- **Scanning Setup Guides** — the TWAIN Datasource and ISIS Driver are included with the *Kodak ScanMate i1150/i1180* Scanners. The Scanning Setup Guides explain how to use basic image processing features and is provided on the Installation disk in PDF format.
- **Smart Touch User's Guide** — provides information and procedures on how to use Smart Touch functionality. The guide is accessible via the Help menu within the Smart Touch application.
- **Reference Guide** — provides easy visual steps for cleaning your scanner. Keep this guide close to the scanner so you can use it as an easy reference.

## Accessories

- **Kodak A3 Size Flatbed Accessory** — the *Kodak A3 Size Flatbed* adds scanning capability for exception documents up to 11 x 17-inch (A3) size paper. CAT No. 189 4351
- **Kodak Legal Size Flatbed Accessory** — the *Kodak Legal Size Flatbed* adds scanning capability for exception documents up to Legal / 8.5 x 14 in. / 216 x 356 mm. CAT No. 119 9470

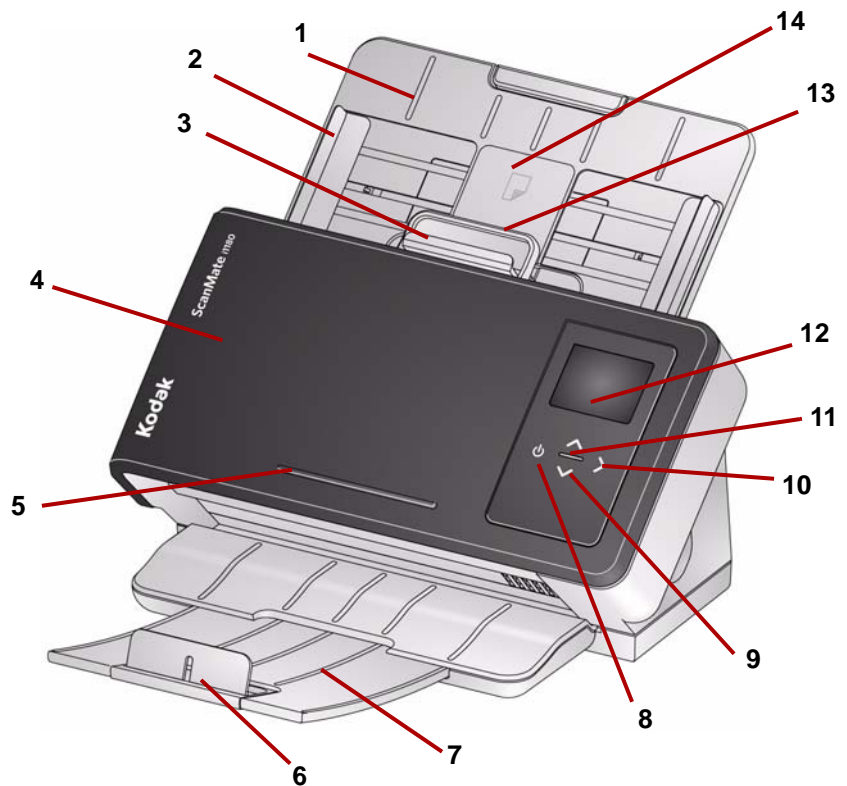
## What's in the box

Before you begin open the box and check the contents:

- *Kodak ScanMate i1150* or *i1180* Scanner
- USB 2.0 cable
- Power adapter
- AC plug adapters
- Installation disk
- Printed Reference Guide, English
- Printed Installation Guide
- Miscellaneous flyers

# Scanner components

## Front view



- 1 **Input tray** — the input tray holds up to the 50 documents (20 lb./ 80 g/m<sup>2</sup>) and can be extended to accommodate documents up to legal size (14 inches).
- 2 **Side guides** — the side guides on the *Kodak ScanMate i1180* Scanner can be moved in and out to accommodate the size of the documents you are scanning. The side guides on the *Kodak ScanMate i1150* Scanner are not adjustable.
- 3 **Gap release** — allows you to manually adjust the space between the feed roller and separation roller for documents that require special handling (e.g., documents that are badly torn). When using the gap release, pull the gap release out to feed special documents. When finished, push the gap release back in place.
- 4 **Scanner cover** — provides access to internal components such as, the imaging area and the feed and separation rollers.
- 5 **Ledge** — for holding a small reference document.
- 6 **End Stop** — can be lifted up when scanning documents for better document stacking.
- 7 **Output tray** — collects the scanned documents. The output tray can be pulled out and extended to accommodate documents up to 35.56 cm (14 inches) in length.
- 8 **Power button** — touch this location to turn on the scanner.



- 9 **Up and Down Scroll buttons** — allows you to select or scroll through predefined functions or applications by touching the Up or Down scroll buttons.
- 10 **Start button** — starts scanning and launches the selected application that is associated with the displayed number in the Operator Control Panel.
- 11 **Indicator light** — illuminates or flashes to indicate scanner status. See Chapter 5, *Troubleshooting* for more information.
- 12 **Operator Control Panel** — displays 1 - 9 and messages. These numbers correspond to a predefined function. **U** or **E** is displayed if an error is encountered.



Indicates that documents are in the input tray and the scanner will scan from the input tray.



Indicates that no documents are in the input tray.



If your scanner is connected to an optional *Kodak A3* or *Legal Flatbed Accessory*, and there are documents in the input tray, the scanner will scan from the input tray.

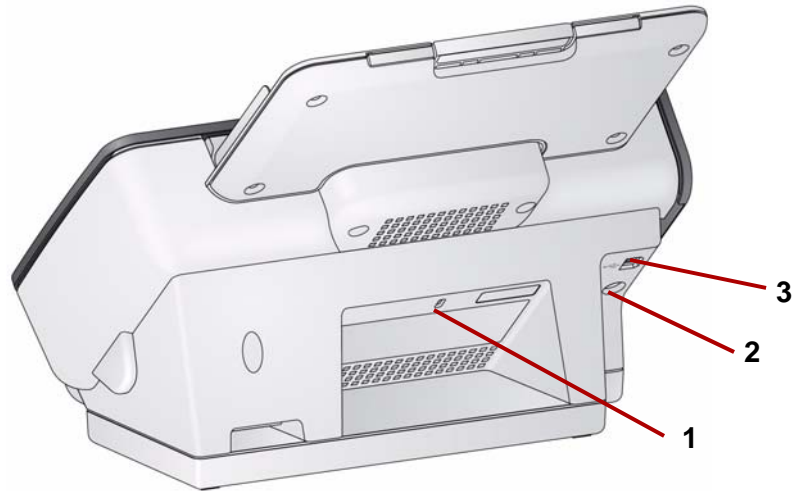


If no documents are in the input tray, the flatbed icon is highlighted. The document will be scanned from the flatbed if this option is configured in your scanning application.

- 13 **Scanner cover release lever** — opens the scanner to allow access to the paper path for cleaning or clearing a document jam.
- 14 **ID-1 card positioning** — for scanning one small card (i.e., US driver's license or other credit card sized ID cards) in portrait orientation. There is also an ID-2 card placement position for scanning one large card (e.g., German ID card issued prior to November 2010) in landscape orientation (*this position is not shown in the 'Front view' illustration*).

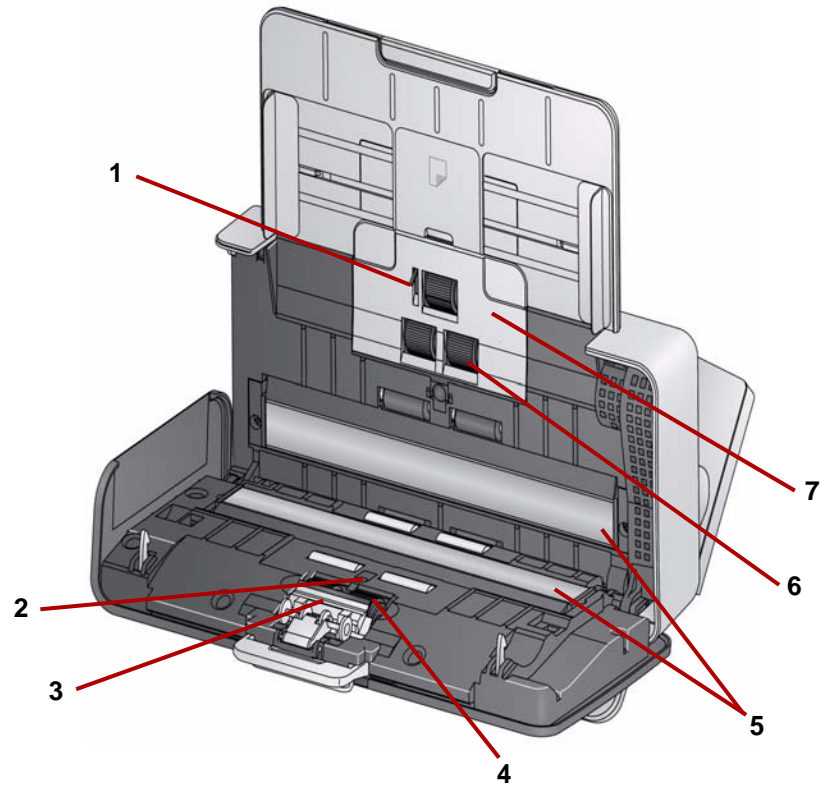
NOTE: ID cards with embossed characters should be positioned with embossing side facing up.

## Back view



- 1 Security lock port** — connects a security lock to the scanner. You can purchase a standard security lock at an office supply store. Refer to the instructions provided with the security lock for installation procedures.
- 2 Power port** — connects the power supply to the scanner.
- 3 USB port** — connects the scanner to the PC.

## Inside view



- 1 **Paper present sensor** — detects the presence of documents in the input tray.
- 2 **UDDS and IDP sensor** — used to detect multifeeds and document edges.
- 3 **Pre-separation pad** — pull this pad out of position when cleaning or changing the separation roller.
- 4 **Separation roller** — provides smooth document feeding and separation of various sizes, thicknesses and textures of documents.
- 5 **Imaging guides** — for optimum image quality, keep the imaging area clean.
- 6 **Feed roller** — provides smooth document feeding and separation of various sizes, thicknesses and textures of documents.
- 7 **Feed roller cover** — remove this cover when cleaning or replacing the feed roller.

## 2 Installation

---

### Contents

Installing the scanner .....	2-1
Installing the <i>Kodak</i> Driver Software: Windows .....	2-1
Installing the <i>Kodak</i> Driver Software: Linux .....	2-2
Installing the <i>Kodak</i> Driver Software: Macintosh .....	2-2
Install the input tray .....	2-2
Connecting the power cord and USB cable.....	2-3
‘Waking’ the scanner up.....	2-4
Turning the scanner off .....	2-4

### Installing the scanner

This section provides detailed information of the *Installation Guide* that is provided with your scanner. Follow these steps in the order they are provided to install your scanner.

NOTE: If you have already performed all of the steps in the *Installation Guide*, skip this section.

#### Installing the *Kodak* Driver Software: *Windows operating systems*

1. Insert the *Kodak ScanMate* i1150/i1180 Scanners Installation disk in the disk drive. The installation program starts automatically.

NOTE: If the disk does not start automatically, open the My Computer icon on your desktop. Double-click the icon indicating your disk drive, then double-click on **setup.exe**.

2. Follow the prompts that are displayed until the installation is complete.

**Installing the Kodak Driver Software: *Linux operating systems***

Linux drivers can be found on the Kodak website. Visit [www.kodakalaris.com/go/disupport](http://www.kodakalaris.com/go/disupport) to obtain the most recent Linux drivers and installation procedures.

Install the driver software **before** connecting the scanner to your PC.

**NOTES:**

- Depending on the operating system you are installing on (Ubuntu, Fedora, or SUSE) the installation procedures may be slightly different.
- Kodak Scanner software requires QT3. Verify that your system has these installed (e.g., Fedora: **Applications>Add/Remove Software**).
- You must be a super user to install the software.

**Installing the Kodak Driver Software: *Macintosh operating systems***

Macintosh drivers can be found on the Kodak website. Visit [www.kodakalaris.com/go/disupport](http://www.kodakalaris.com/go/disupport) to obtain the most recent Macintosh drivers and installation procedures.

Install the driver software **before** connecting the scanner to your PC.

**NOTE:** Depending on the operating system you are installing on (10.7, 10.8, 10.9) the installation procedures may be slightly different.

**Installing the input tray**

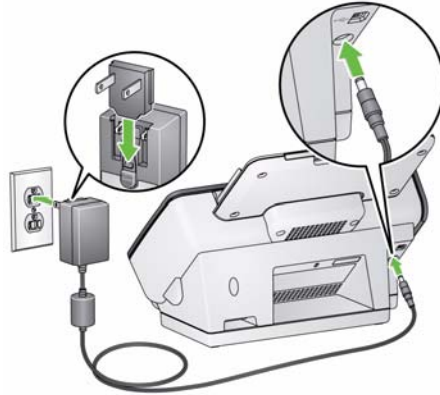
Install the input tray as shown below:



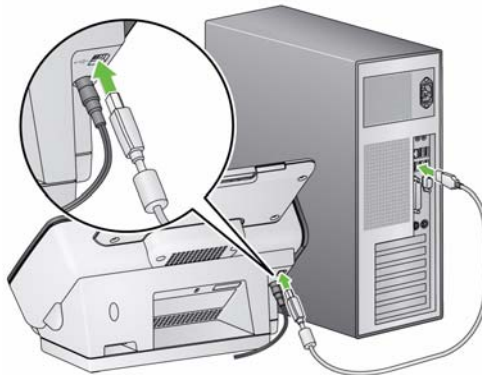
## Connecting the power adapter and USB cable

When the drivers have been installed, connect the power adapter and USB cable to the scanner. Refer to the illustration below for making proper connections. Make sure the power outlet is located within 1.52 metres (5 feet) of the scanner and is easily accessible.

1. Select the appropriate AC plug adapter for your region from the supply of plug adapters packed with your scanner.
2. Attach the correct AC plug adapter to the power adapter and insert the power adapter into the wall outlet.

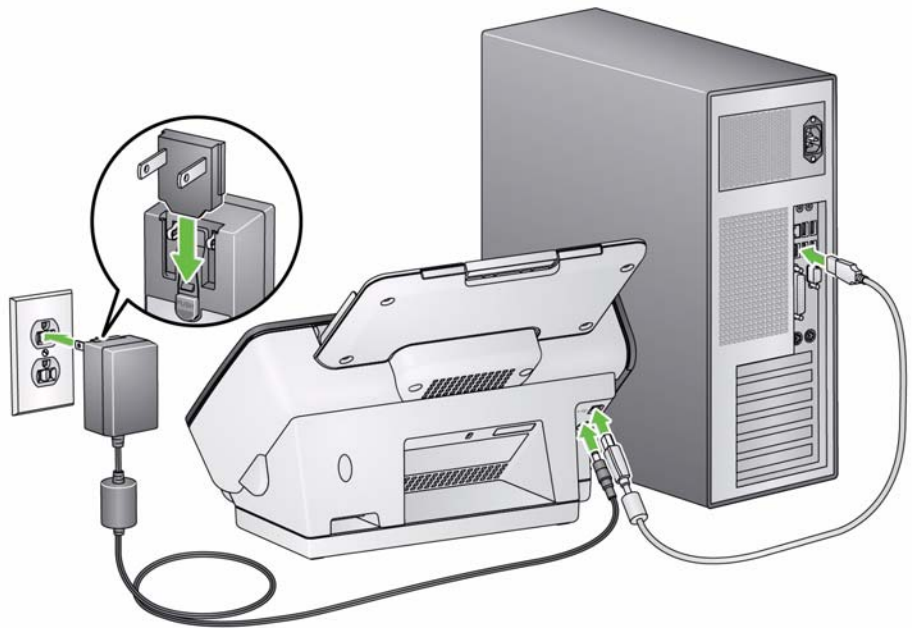


3. Plug the power adapter into the power port on the scanner.



4. Attach the USB cable to the scanner USB port, located on the back of the scanner.

5. Attach the other end of the USB cable to the proper USB port on your PC. Your scanner will automatically power up and be ready to use.



### **'Waking up' the scanner**

If the scanner is not already powered on, touch any button on the scanner (i.e., Up, Down, Start or Power).



### **Turning the scanner off**

To turn the scanner off, touch the power button for 1 second.

**NOTE:** The *Power Off* energy saver feature will also turn the scanner off after an extended period of time after the scanner is in power saver mode. The default is 15 minutes, however, you can configure this period of time via your scanning application. Valid values are 1-240 minutes.

# 3 Scanning

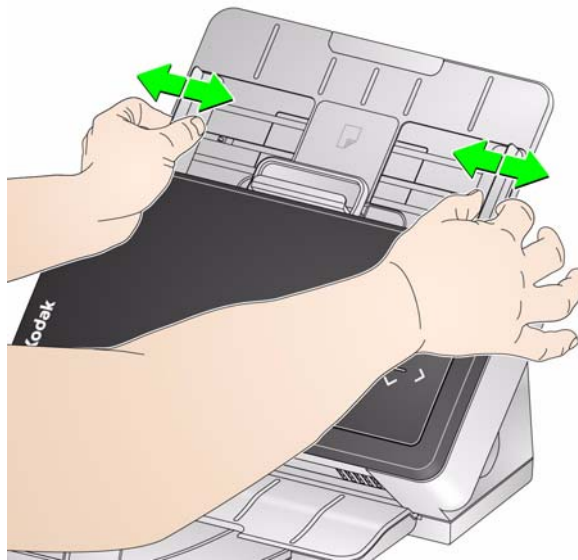
---

## Contents

Getting your scanner ready to scan .....	3-1
Getting your documents ready to scan .....	3-2
Scanning with Smart Touch .....	3-4

## Getting your scanner ready to scan

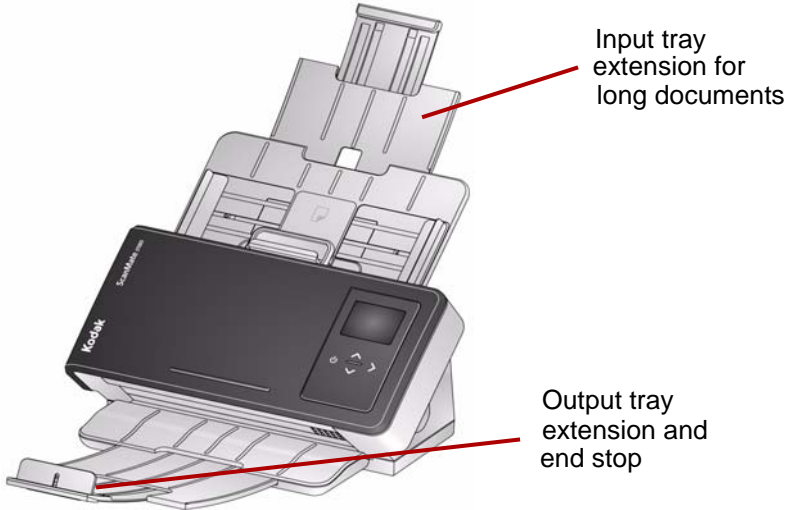
1. Be sure the scanner is on and ready to scan (Power button will be green and constant).
2. *For the i1180 Scanner only.* Adjust the side guides (by sliding them in or out) to accommodate the size of documents you are scanning.





3. If necessary, adjust the input and output trays to accommodate your scanning needs. The output tray can be extended to accommodate documents up to 35.56 cm (14 inches) in length. An end stop is available to accommodate document stacking. Lift this end stop as needed for scanning documents up to A4 (11.7 inches).

NOTE: Keep the end stop down when scanning documents longer than A4 (11.7 inches).



NOTE: When scanning small documents (e.g., credit cards, US driver's license, etc.), the document must be fed through the scanner in portrait orientation.

## Getting your documents ready to scan

1. Standard paper size documents feed easily through the scanner. When organizing your documents for scanning, stack the documents so the lead edges are aligned and centered in the input tray. This allows the feeder to introduce documents into the scanner one at a time.
2. Remove all staples and paper clips before scanning. Staples and paper clips on documents may damage the scanner and documents.
3. All inks and correction fluids on the paper must be dry before scanning is started.
4. Place the documents you want to scan in the input tray. Be sure the front side of your document(s) is positioned against the input tray and the top of the document(s) is inserted into the input tray first.

5. If you are scanning small documents such as a driver's license or credit card, they should be scanned one at a time (in portrait orientation) or in a batch with larger documents. Be sure to scan the small document in portrait orientation. When in a batch, you need to place the small document first in the batch.



**Smart Touch** — the Smart Touch application may have been installed when you installed the *Kodak Driver Software*. Kodak provides Smart Touch functionality which allows you to quickly and easily perform common scanning tasks; such as:

- create a searchable PDF of a printed report
- scan, fax/print an invoice
- scan a photo to add to a presentation

The following predefined task shortcuts are available. You can modify and rename any of the shortcuts to create your own custom tasks. You can also preview and easily edit images (zoom, pan, rotate, crop, and much more) before they are sent to their destination.

**Color PDF** — scans a color document(s) and saves it as a PDF file.

**Black and White PDF** — scans a document(s) and saves it as a black and white PDF file.

**Black and White RTF** — scans a black and white document that can be opened using a word processing application. The document will be saved as a RTF file.

**Color JPEG** — scans a color photograph(s) and saves it as a JPG file.

**Black and White Single-page TIFF** — scans a black and white document and saves the images to individual single-page TIFF files.

**Black and White Multi-page TIFF** — scans a black and white document and saves all of the images in a multi-page TIFF file.

**E-mail Black and White PDF** — scans a document(s) and sends a black and white PDF to an email recipient.

**Custom Color PDF** — scans the document and launches the Smart Touch Editing window. When you have finished editing the image and clicked **Done**, the image will be displayed as a PDF file.

**Custom Color File(s)** — allows you to setup the scanner settings before the document is scanned. The document will be saved as a color JPG file.

In addition to Smart Touch, *Kodak Capture Pro Software Limited Edition* is included with your scanner.

**Kodak Capture Pro Limited Edition** — quickly scan and process information 'out of the box' with this easy to use application. You can capture, edit and output anything from single documents to larger batches. Capture Pro Limited Edition is ideal for individuals or workgroup users managing entry-level documents or single-batch scanning.

## Scanning with Smart Touch

If you installed the Smart Touch application, the following steps are an example of creating a **Black and White PDF** using Smart Touch. For more information about Smart Touch, see the *User's Guide for Smart Touch* that is accessible via the Help menu within the Smart Touch application.

1. Press the **Scroll** button until number **2** is displayed in the function window. You may scroll up or down to the desired function depending on which Scroll button is used.
2. Press the **Start** button.

The document will be scanned and the resulting image will be placed in the Output folder in the Smart Touch directory under "My Documents".

**NOTE:** If you have a *Kodak ScanMate i1150* Scanner and you are scanning 10 documents or less, your scanner will scan these documents at 40 pages a minutes (burst mode). Anything over 10 documents, the scanner will scan the first 10 pages at 40 pages per minute and the balance of the documents will be scanned at 25 pages per minute.

# 4 Maintenance

---

## Contents

Opening the scanner cover.....	4-1
Cleaning procedures.....	4-2
Cleaning the rollers .....	4-2
Cleaning the separation roller .....	4-3
Cleaning the feed rollers .....	4-5
Cleaning the imaging area .....	4-8
Running a transport cleaning sheet.....	4-8
Replacement procedures .....	4-9
Replacing the separation roller.....	4-9
Replacing the pre-separation pad .....	4-10
Replacing the feed roller.....	4-11
Supplies and consumables .....	4-12

## Opening the scanner cover

1. Pull the scanner cover release lever to release and open the scanner cover.



2. When you finish cleaning the scanner or replacing a part, close the scanner cover.

## Cleaning procedures

Your scanner needs to be cleaned periodically. If your documents do not feed easily, if several documents feed at the same time or if streaks appear on your images, it is time to clean your scanner. The section entitled, "Supplies and consumables" at the end of this chapter provides a listing of the supplies required to clean your scanner.

*IMPORTANT: Only use cleaners such as those provided through Kodak Parts Services. Do not use household cleaners.*

*Allow surfaces to cool to ambient temperature before use. Do not use cleaners on hot surfaces.*

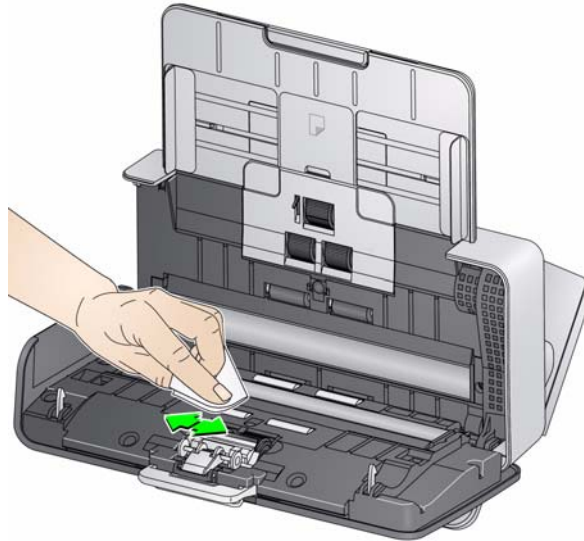
*Use adequate ventilation. Do not use cleaners in confined areas.*

### NOTES:

- Before cleaning, disconnect the electrical power.
- Wash your hands with soap and water after performing maintenance procedures.

## Cleaning the rollers

1. Open the scanner cover.
2. With a roller cleaning pad, wipe the feed rollers from side to side. Rotate the feed rollers to clean the entire surface.



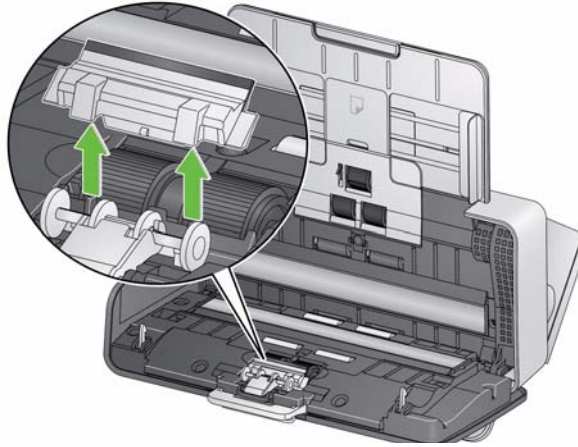
*IMPORTANT: The roller cleaning pad contains sodium lauryl ether sulfate which can cause eye irritation. Refer to the MSDS for more information.*

3. Dry the rollers with a lint-free cloth.

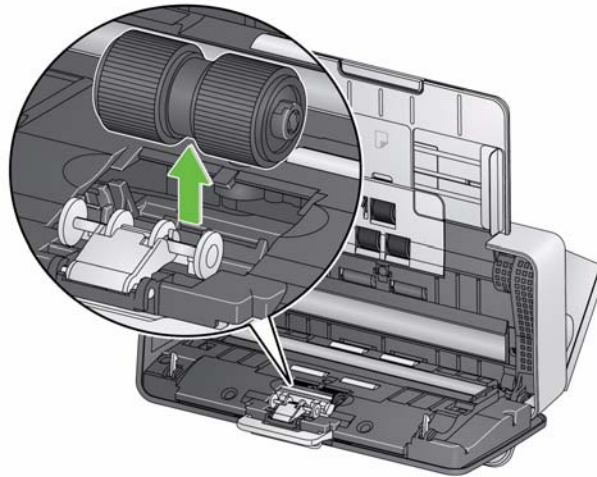
## Cleaning the separation roller

The separation roller should be removed from the scanner for best cleaning results.

1. Remove the pre-separation pad by grasping it and pulling it straight out.

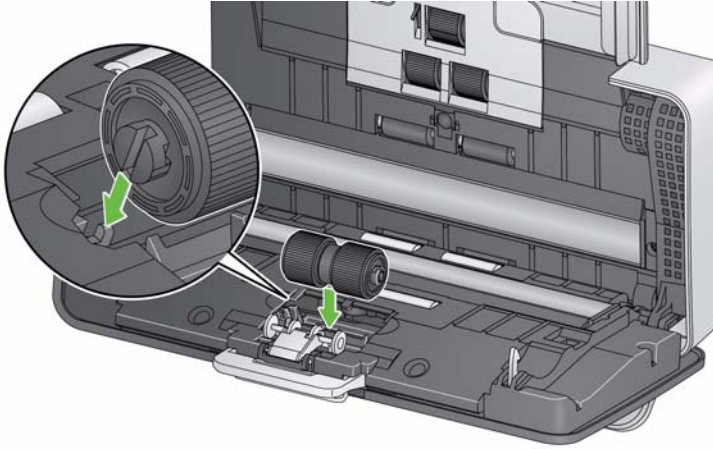


2. Grasp the separation roller and pull it straight out.

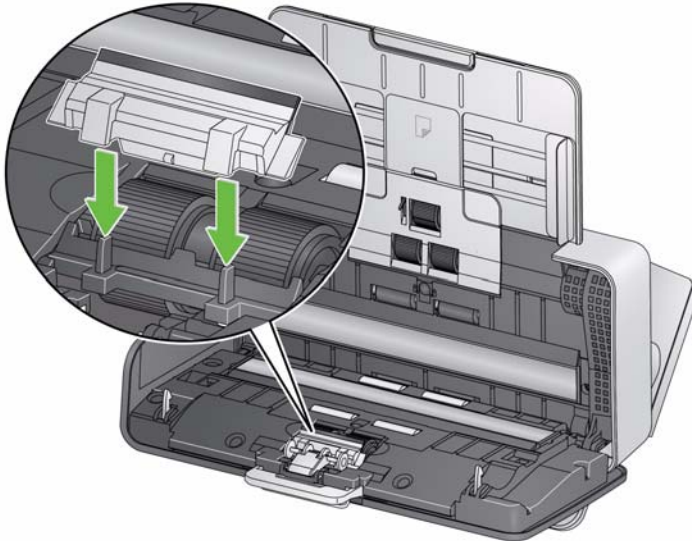


3. Wipe the separation roller tires with a roller cleaning pad.
4. Inspect the separation roller.  
If the separation roller tires show signs of wear or damage, replace it. See "Replacement procedures" for more information.

5. Insert the separation roller by aligning the tab with the slot and snapping it into position.



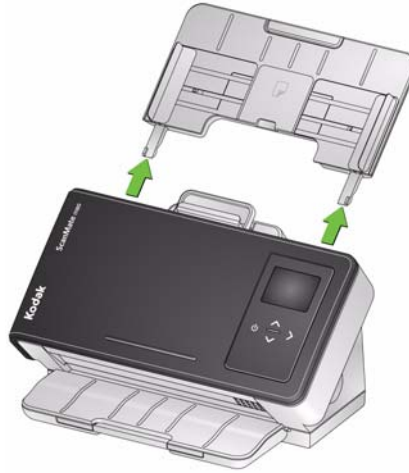
6. Re-install the pre-separation pad by aligning the slots with the holes on the pre-separation pad and snapping it into place.



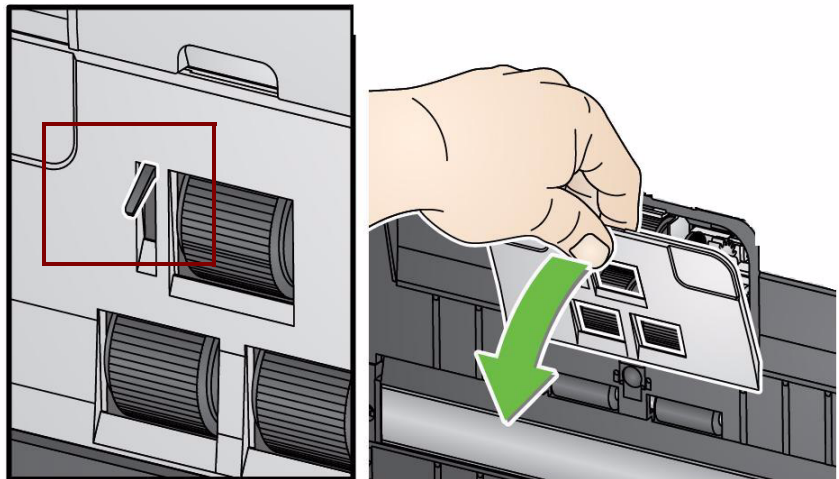
## Cleaning the feed rollers

NOTE: Be careful not to damage the paper present sensor when removing or cleaning around the feed roller.

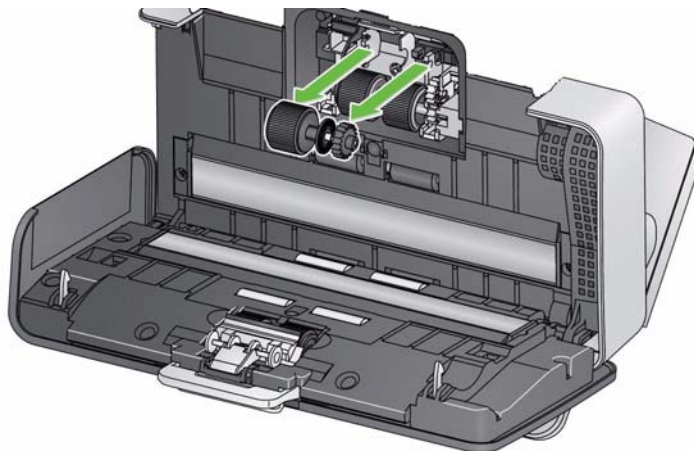
1. Remove the input tray.



2. Grasp the top edge of the feed roller cover and lift it out of position.

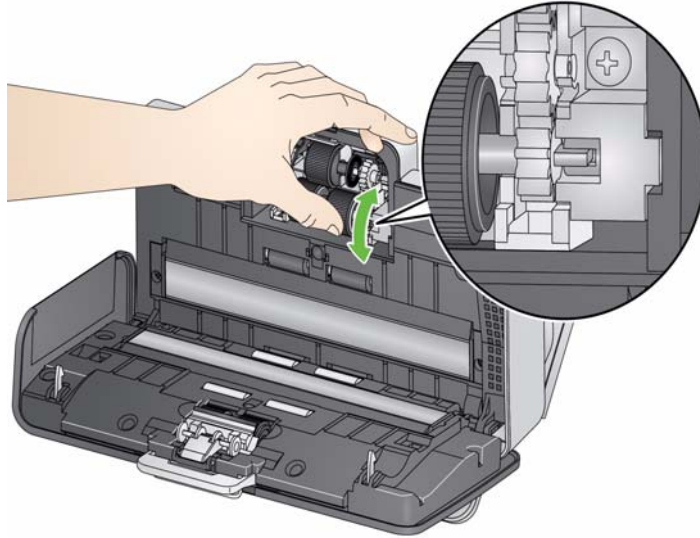


3. Remove the top roller.

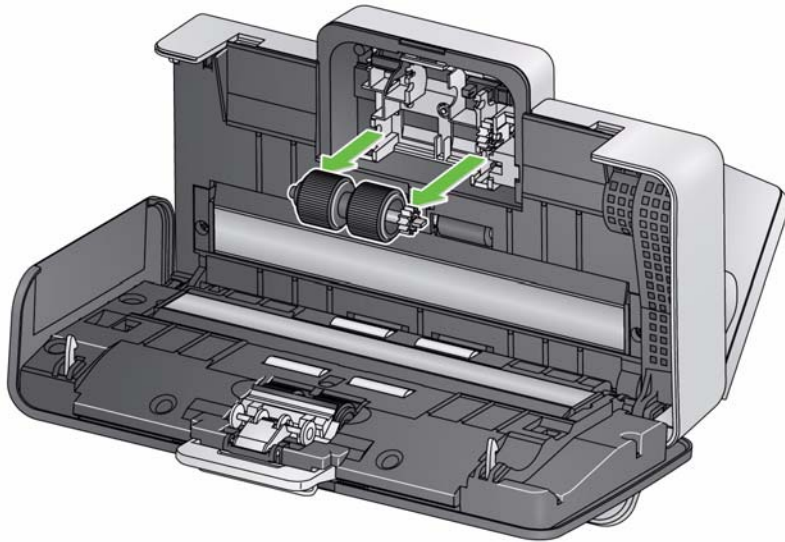




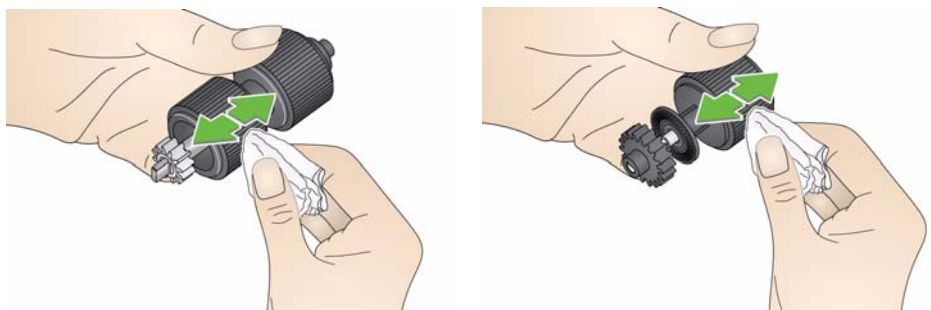
4. Rotate the lower feed roller so the pin is positioned with the open slot,.



then lift the roller out of position.



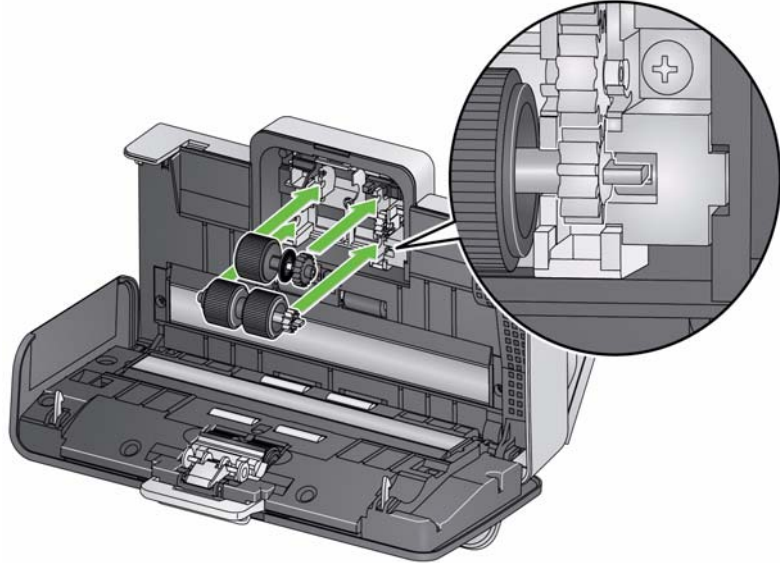
5. Wipe the top and lower feed roller tires with a roller cleaning pad.



6. Inspect the feed rollers.

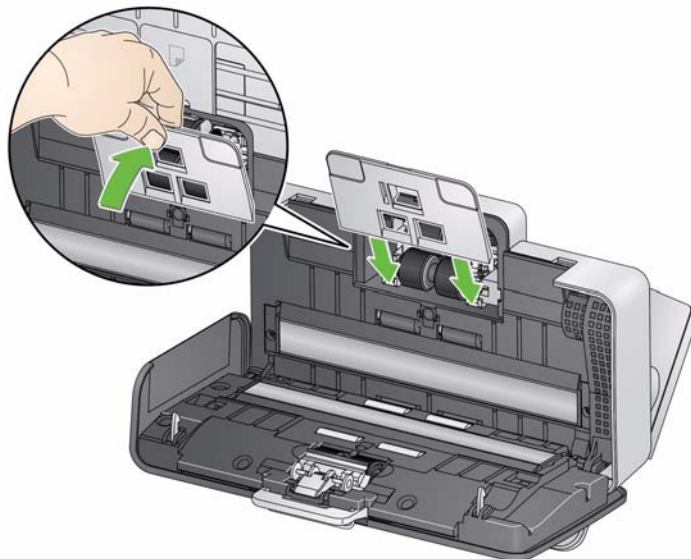
If the feed roller tires show signs of wear or damage, replace the feed roller. See the “Replacement procedures” for more information.

7. Reinstall the lower feed roller by aligning the pin with the open slot and fitting it into position. Be sure the gears are aligned and it snaps into place.



8. Reinstall the top feed roller.

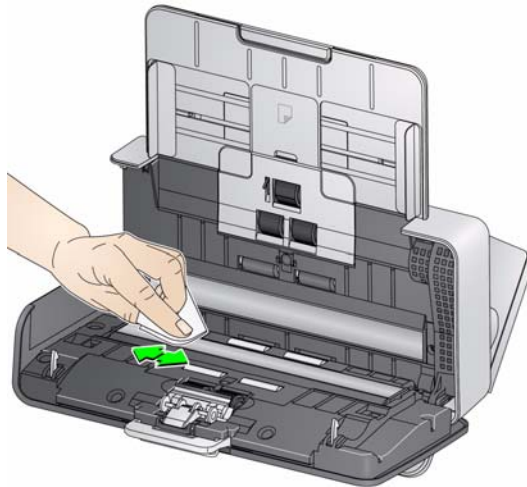
9. Reinstall the feed roller cover by aligning the bottom edge of the cover with the scanner and pushing it back into position until it snaps into place.



## Cleaning the imaging area

1. Wipe the upper and lower imaging area using a Brilliance Detailer wipe (Step 1) or Staticide wipe. Be careful not to scratch the imaging area when cleaning.

*IMPORTANT: Staticide wipes contain isopropanol which can cause eye irritation and dry skin. Wash your hands with soap and water after performing maintenance procedures. Refer to the MSDS for more information.*



2. Wipe the upper and lower imaging area again using a Brilliance wipe (Step 2) or an almost dry Staticide wipe to remove any streaks.
3. When finished, close the scanner cover.

## Running a transport cleaning sheet

In addition to regular cleaning procedures, you can run a transport cleaning sheet. Transport cleaning sheets are available for purchase. See the section entitled, "Supplies and Consumables" later in this chapter for more information.

1. Remove the wrapping from the Transport Cleaning Sheet.
2. *For the i1180 Scanner only.* Adjust the side guides to fit the cleaning sheet.
3. Place a transport cleaning sheet in the input tray (adhesive side facing you) in portrait orientation.
4. Using your scanning application, scan the transport cleaning sheet.
5. After the transport cleaning sheet is scanned, turn it over (adhesive side facing the input tray) and scan it again.
6. Open the scanner cover and wipe the imaging area with a lint-free cloth.
7. Close the scanner cover.
8. Check your image quality.
9. If necessary, repeat this procedure until all residue is removed from the rollers.

**NOTE:** When a transport cleaning sheet gets very dirty, discard it and use a new one.

## Replacement procedures

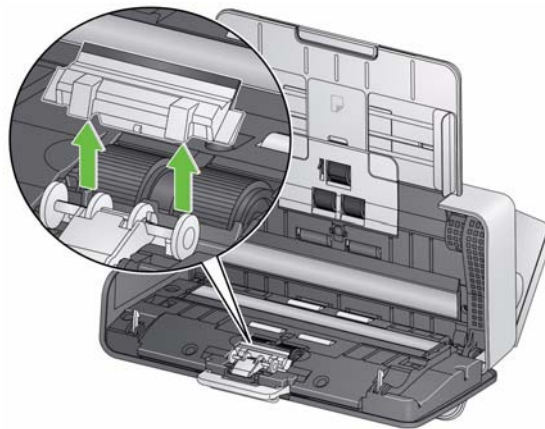
*Kodak* Scanners use replaceable feed roller modules that can feed a wide range of document types, sizes and thicknesses. Module life and performance will vary based on the customer's document set, the frequency of cleaning the paper path and tires, and following the recommended schedule for changing the module. The nominal feed roller module life is approximately 200,000 pages. Usage figures are not guaranteed. Customer-operating environments, document type, the condition of documents being scanned, and not following the recommended cleaning and replacement procedures, can cause the life of the consumables to vary. Change the feed roller module if you notice an increase in multiple feeds, stoppages, or a decrease in feeder performance that is not resolved by following the cleaning procedures.

### NOTES:

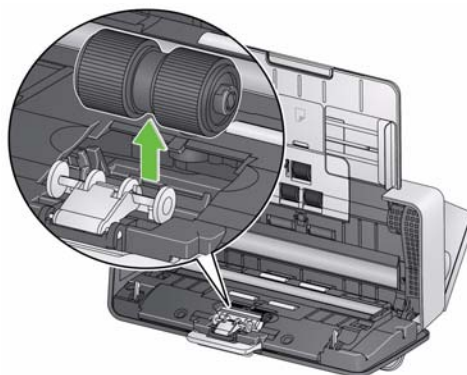
- Before replacing parts, disconnect the electrical power.
- Certain paper types (such as carbonless paper or newsprint), failure to clean regularly, and/or use of non-recommended cleaning solvents can shorten roller life.

### Replacing the separation roller

1. Remove the pre-separation pad by grasping it and pulling it out of position.



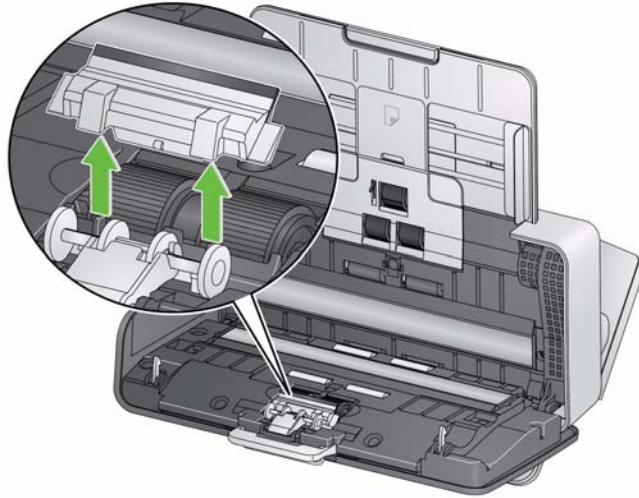
2. Remove the separation roller.



3. Install the new separation roller by aligning the tab with the slot and snapping it into position.
4. Re-install the pre-separation pad by aligning the slots with the holes on the pre-separation pad and snapping it into place.

## Replacing the pre-separation pad

1. Remove the pre-separation pad by grasping it and pulling it out of position.



2. Discard the worn pre-separation pad.
3. Install the new pre-separation pad by aligning the slots with the holes on the pre-separation pad and snapping it into place.

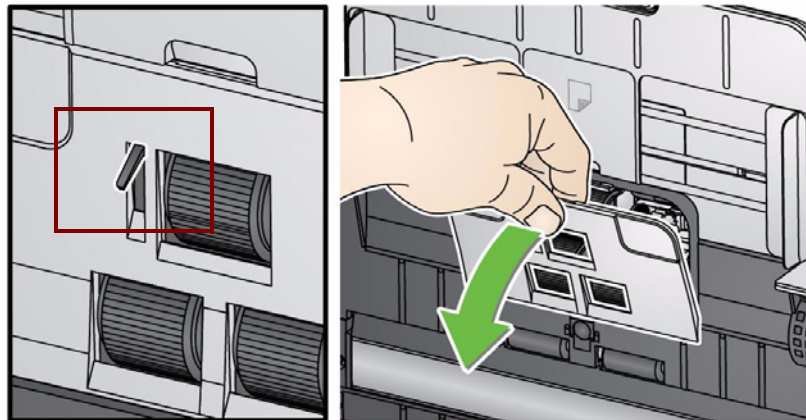
## Replacing the feed roller

NOTE: Be careful not to damage the paper present sensor when removing or cleaning around the feed roller.

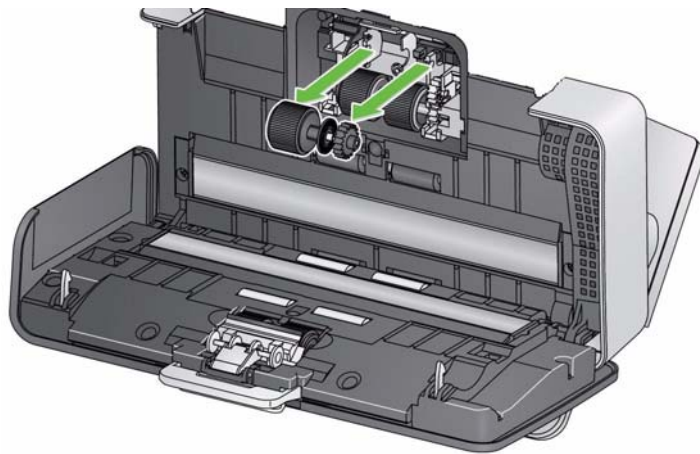
1. Remove the input tray.



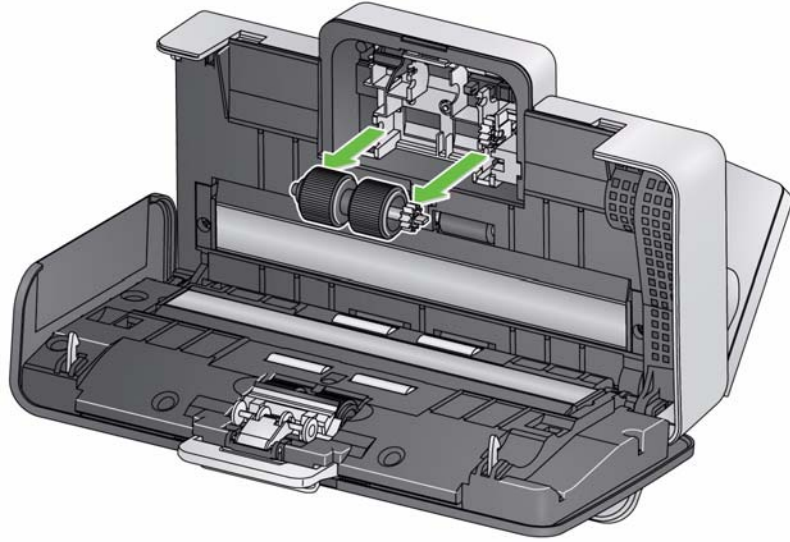
1. Pull on the edge of the feed roller cover and lift it out of position.



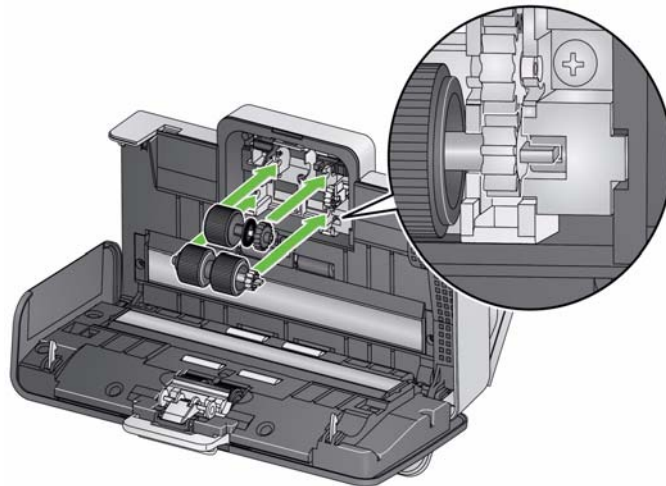
2. Remove the top roller.



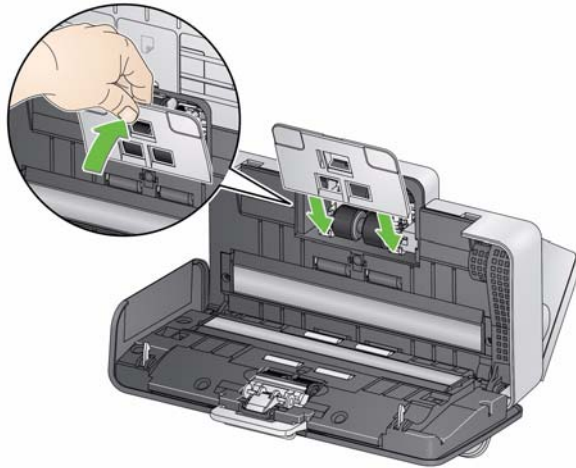
3. Rotate the lower feed roller so the pin is positioned with the open slot, then lift the roller out of position.



4. Install a new lower feed roller and top feed roller by aligning the pins with the open slots and fitting each roller into position. Be sure the gears are aligned and the roller snaps into place.



- Reinstall the feed roller cover by aligning the bottom edge of the cover with the scanner and pushing it back into position until it snaps into place.



## Supplies and consumables

Contact your scanner supplier to order supplies.

Description	CAT No.
<i>Kodak Feed Roller Kit</i>	175 6360
<i>Kodak Digital Science Roller Cleaning Pads (qty 24)</i>	853 5981
<i>Kodak Digital Science Transport Cleaning Sheets (qty 50)</i>	169 0783
Staticide Wipes for <i>Kodak</i> Scanners (qty 6 boxes of 24)	896 5519
<i>Brilliance</i> Detailer Wipes / for <i>Kodak</i> Scanners	826 6488
<i>Kodak</i> Legal Size Flatbed Accessory	119 9470
<i>Kodak</i> A3 Size Flatbed Accessory	189 4351

NOTE: Items and catalog numbers are subject to change.




# 5 Troubleshooting

## Contents

Problem solving ..... 5-1  
Indicator lights ..... 5-2  
Contacting Service ..... 5-2

## Problem solving

Occasionally you may encounter a situation with your scanner where it may not function properly. Use the chart below as a guide to check possible solutions to help you resolve the situation before calling Technical Support.

Problem	Possible Solution
Documents are jamming or multiple documents are feeding	<p>Make sure that:</p> <ul style="list-style-type: none"><li>• the side guides are adjusted for the width of the documents you are scanning (<i>for i1180 Scanners only</i>).</li><li>• the output tray is adjusted for the length of the documents you are scanning.</li><li>• all documents meet the specifications for size, weight and type as outlined in Appendix A, <i>Specifications</i>.</li><li>• the scanner and tires are clean.</li><li>• the feed roller is installed properly and securely in place. See the procedures in Chapter 4, <i>Maintenance</i>.</li></ul> <p><b>To remove a document jam:</b> <i>IMPORTANT: Do not pull the jammed document out of the scanner; open the scanner cover first.</i></p> <ul style="list-style-type: none"><li>• Open the scanner cover.</li></ul>  <ul style="list-style-type: none"><li>• Remove any jammed document(s) from inside the scanner.</li><li>• Close the scanner cover and resume scanning.</li></ul>

Problem	Possible Solution
Scanner will not scan/feed documents	Make sure that: <ul style="list-style-type: none"> <li>• the power adapter is plugged securely into the back of scanner and the wall outlet.</li> <li>• the wall outlet is not defective (call a licensed electrician).</li> <li>• the PC was restarted after installing the software.</li> <li>• document(s) is making contact with the feed rollers and the paper present sensor.</li> </ul>
No images are being displayed	<ul style="list-style-type: none"> <li>• If you are scanning one-sided documents, be sure the side you want to scan is facing the input tray (not facing you). For more information, see the section entitled, "Getting your documents ready to scan" in Chapter 3, <i>Scanning</i>.</li> </ul>
Images are not being cropped correctly	<ul style="list-style-type: none"> <li>• If the cropping options are enabled, <b>Automatically Detect and Straighten</b> or <b>Automatically Detect</b> and your images are not being cropped correctly, clean the imaging area. See the section entitled, "Cleaning the imaging area" in Chapter 4, <i>Maintenance</i>.</li> </ul>
Roller marks appear on the document after scanning	Clean the rollers. See the procedures in Chapter 4, <i>Maintenance</i> .
Images have black background bleed-through	When scanning translucent documents, black bleed-through may be displayed on the image. To minimize this, adjust the Contrast value or select <b>Draft (Fixed)</b> in TWAIN or <b>Fixed Processing</b> in ISIS to improve the image.
Red, green or blue streaks are running through a color photo	The scanner is dirty and needs to be cleaned. Refer to the "Cleaning procedures" in Chapter 4, <i>Maintenance</i> .
Scanner is running slow	<ul style="list-style-type: none"> <li>• Your PC may not meet the minimum requirements for the scanner.</li> <li>• The scanner is rated and designed to operate with USB 2.0, but will function in a USB 1.1 port. If you are using a USB 1.1 connection, update your connection to USB 2.0.</li> </ul>

## Indicator lights

**Steady green:** the scanner is ready or scanning.

**Flashing green:** scanner initialization is in process.

**Steady red:** indicates a scanner error which will be displayed on the operator control panel, such as a document jam. If the error is not user-correctable, you may need to power-cycle the scanner. If the problem persists, call Service.

## Contacting Service

1. Visit [www.kodakalaris.com/go/disupport](http://www.kodakalaris.com/go/disupport) to obtain the most current phone number for your country.
2. When calling, please have the following information ready:
  - A description of your problem.
  - The scanner model and serial number.
  - Computer configuration.
  - Software application you are using.

# Appendix A Specifications

This appendix provides scanner specifications and system requirements.

<b>Scanner Type/Speed</b> (throughput speeds may vary depending on driver, application software, operating system and PC)	<b>Kodak ScanMate i1150 Scanner</b> — a duplex scanner that scans 25 pages per minute at 200 and 300 dpi in black and white, color and grayscale with “burst” capability allowing the first 10 documents to be processed at 40 pages per minute. <b>Kodak ScanMate i1180 Scanner</b> — a duplex scanner that scans 40 pages per minute at 200 and 300 dpi in black and white, color and grayscale.
<b>Scanning Technology</b>	Dual LED indirect Grayscale output bit depth is 256 levels (8-bit) Color capture bit depth is 48 bits (16 x 3) Color output bit depth is 24 bits (8 x 3)
<b>Optical Resolution</b>	600 dpi
<b>Output Resolutions</b>	100, 150, 200, 240, 250, 300, 400, 500, 600 and 1200 dpi
<b>File Format Output</b>	Single- and multi-page TIFF, JPEG, RTF, BMP, PDF and searchable PDF
<b>Minimum Document Size</b>	63.5 x 50 mm (2.5 x 2 in.) - must be fed in the scanner in portrait orientation
<b>Maximum Document Size</b>	215 x 279.4 mm (8.5 x 11 in.) Long Document mode: 863.6 mm (34 in.)
<b>Paper Weight</b>	34 g/m <sup>2</sup> to 413 g/m <sup>2</sup> (9 to 110 lbs.) ID card thickness up to 1.25 mm (0.05 in.)
<b>ADF Capacity</b>	Handles small documents such as ID cards, embossed cards and insurance cards. The input tray holds 50 sheets (20 lb./80 g/m <sup>2</sup> ).
<b>Recommended Daily Volume</b>	i1150 Scanner - 3000 pages per day i1180 Scanner - 5000 pages per day
<b>Illumination</b>	LED
<b>Document Sensing</b>	Ultrasonic (for Multifeed) Intelligent Document Protection
<b>Adapter Electrical Rating</b>	<b>Input:</b> 100 - 240 Vac (international), 50/60 Hz, 0.9A Max. <b>Output:</b> DC 24 V $\overline{\text{---}}$ 1.5 A
<b>Scanner Dimensions</b>	<b>Height:</b> 246 mm / 9.7 in. (not including input tray) <b>Width:</b> 330 mm / 13 in. <b>Depth:</b> 162 mm / 6.3 in. (not including input tray and output tray)
<b>Scanner Weight</b>	3.2 kg (7 lbs)
<b>Host Connection</b>	USB 2.0
<b>Operating Temperature</b>	15°C to 35°C (59 to 95°F)
<b>Operating Humidity</b>	15 to 85% RH
<b>Environmental Factors</b>	Energy Star qualified scanners

<b>Power Consumption - Scanner</b>	Off mode: < 0.5 watts Running: < 35 watts Idle: < 8 watts Energy Star < 2.5 watts
<b>Acoustic Noise</b> (Sound Pressure level)	Operating: less than 64 dB(A) Idle mode: less than 40 dB(A)
<b>Bundled Software</b>	TWAIN, ISIS, WIA Drivers, Smart Touch and <i>Kodak Capture Pro Software Limited Edition</i> TWAIN Drivers available from: <a href="http://www.kodakalaris.com/go/scanners">www.kodakalaris.com/go/scanners</a>

## System requirements

Following is the recommended system configuration to run the *Kodak i1150/i1180 Scanner*:

- Intel Core i7 2600, 3.4 GHz
- 4 GB RAM
- USB 2.0 High Speed

Supported operating systems:

- Microsoft Windows XP (32-bit and 64-bit) with SP2 and higher
- Microsoft Windows Vista with SP1
- Microsoft Windows Vista x64 Edition
- Microsoft Windows 7 (32-bit and 64-bit) with SP1
- Microsoft Windows 8 (32-bit and 64-bit)
- Microsoft Windows 2008 Server x64 Edition
- Microsoft Windows 2012 Server
  
- Linux Ubuntu 12.04
  
- Macintosh 10.7, 10.8 and 10.9

### Included Drivers:

- Windows operating systems: TWAIN, ISIS, WIA
- Linux distributions: TWAIN and SANE
- Macintosh distributions: TWAIN

# Appendix B Warranty - US and Canada only

---

Congratulations on the purchase of a *Kodak Scanner*. *Kodak Scanners* are designed to provide end users with the highest performance and reliability. All *Kodak Scanners* are covered by the following Limited Warranty.

## Limited Warranty for *Kodak Scanners*

Kodak Alaris Inc. provides the following Limited Warranty on *Kodak Scanners* (excluding spare parts and consumables) distributed by Kodak Alaris or through Kodak Alaris' authorized distribution channels:

Kodak Alaris Inc. warrants that a *Kodak Scanner*, from the time of sale through the Limited Warranty period applicable to the Product, will be free of defects in materials or workmanship and will conform to the performance specifications applicable for the particular *Kodak Scanner*.

All *Kodak Scanners* are subject to the Warranty Exclusions described below. A *Kodak Scanner* found to be defective or which does not conform to the product specifications will be repaired or replaced with new or refurbished product at Kodak Alaris' option.

Purchasers may determine the applicable Limited Warranty period for the *Kodak Scanners* purchased by visiting [www.kodakalaris.com/go/disupport](http://www.kodakalaris.com/go/disupport) or by reviewing the Limited Warranty Summary Card enclosed with the *Kodak Scanner*.

Proof of purchase is required to demonstrate eligibility for warranty service.

## Warranty exclusions

Kodak Alaris' Limited Warranty does not apply to a *Kodak Scanner* that has been subjected to physical damage after purchase, caused, for example, by casualty, accident, acts of God or transportation, including (a) by a failure to properly package and ship the Scanner back to Kodak Alaris for warranty service in accordance with Kodak Alaris' then current Packaging and Shipping Guidelines, including failure to replace the shipping restraint prior to shipping, or by a failure to remove the shipping restraint prior to use; (b) resulting from the user's installation, system integration, programming, re-installation of user operating systems or applications software, systems engineering, relocation, reconstruction of data, or removal of the product or any component (including breakage of a connector, cover, glass, pins, trays or seal); (c) from service, modification or repair not performed by Kodak Alaris or a service provider authorized by Kodak Alaris or by tampering, use of counterfeit or other non-Kodak Alaris components, assemblies, accessories, or modules; (d) by misuse, unreasonable handling or maintenance, mistreatment, operator error, failure to provide proper supervision or maintenance, including use of cleaning products or other accessories not approved by Kodak Alaris or use in contravention of recommended procedures or specifications; (e) by environmental conditions (such as excessive heat or other unsuitable physical operating environment), corrosion, staining, electrical work external to the product or failure to provide electro-static discharge (ESD) protection; (f) by failure to install firmware updates or releases available for the product and (g) by such other supplemental exclusions published from time to time online at [www.kodakalaris.com/go/disupport](http://www.kodakalaris.com/go/disupport).

Kodak Alaris provides no Limited Warranty for products purchased from countries other than the United State and Canada. Purchasers of products from foreign distribution channels must seek warranty coverage, if any, through the original source of purchase.

Kodak Alaris provides no Limited Warranty for products that are purchased as part of a third party manufacturer's product, computer system or other electronic device.

Any warranty for these products is provided by the OEM (Original Equipment Manufacturer) as part of that manufacturer's product or system.

The replacement product assumes the remainder of the Limited Warranty period applicable to the defective product or thirty (30) days, whichever is longer.

## Installation Warning and Disclaimer

KODAK ALARIS WILL NOT BE RESPONSIBLE FOR ANY CONSEQUENTIAL OR INCIDENTAL DAMAGES RESULTING FROM THE SALE, INSTALLATION, USE, SERVICING OR IMPROPER FUNCTIONING OF THIS PRODUCT, REGARDLESS OF THE CAUSE. SUCH DAMAGES FOR WHICH KODAK ALARIS WILL NOT BE RESPONSIBLE, INCLUDE, BUT ARE NOT LIMITED TO, LOSS OF REVENUE OR PROFIT, LOSS OF DATA, DOWNTIME COSTS, LOSS OF USE OF THE PRODUCT, COST OF ANY SUBSTITUTE PRODUCT, FACILITIES OR SERVICES OR CLAIMS OF CUSTOMERS FOR SUCH DAMAGES.

If there is any conflict between other sections of this appendix and the Limited Warranty, the terms of the Limited Warranty prevail.

## How to obtain Limited Warranty service

*Kodak* Scanners are supplied with information on unpacking, setup, installation and operation. Careful reading of the User's Guide will answer most of the technical questions the end user might have regarding proper installation, operation and maintenance of the product. However, should additional technical support be required, you may visit our website at: [www.kodakalaris.com/go/disupport](http://www.kodakalaris.com/go/disupport) or contact: Kodak Alaris' Response Center: **(800) 822-1414**

The Response Center is available Monday – Friday (excluding Kodak Alaris holidays) 8 a.m. to 5 p.m. EST.

Before placing the call, the eligible purchaser should have the *Kodak* Scanner model number, part number, serial number and proof of purchase available. The eligible purchaser should also be prepared to provide a description of the problem.

Response Center personnel will assist the end user in resolving the problem over the phone. The end user may be asked to run some simple, self-diagnostic tests and report the resulting status and error code messages. This will assist the Response Center in determining if the problem is the *Kodak* Scanner or another component and if the problem can be resolved over the phone. If the Response Center determines a hardware problem exists that is covered either under the Limited Warranty or a purchased Maintenance Agreement, a Return Material Authorization Number (RMA) will be assigned as needed, a service request will be initiated and repair or replacement procedures will follow.

## Packaging and shipping guidelines

Purchaser must ship all warranty returns in a method that guarantees full protection of the product from shipping damage. Failure to do so will void the *Kodak* Scanner warranty. Kodak Alaris advises the purchaser to keep the original box and packing materials for storing or shipping. Kodak Alaris is not responsible for issues related to shipping damage. The purchaser must return only the *Kodak* Scanner. Prior to shipment, purchaser must remove and retain all "add-on" items, (i.e. adapters, cables, software, manuals, etc.). Kodak Alaris accepts no responsibility for these items and they will not be returned with the repaired or replacement *Kodak* Scanner. All products should be returned to Kodak Alaris in the original shipping container, or an authorized packaging box for the units being returned. Purchaser must install the shipping restraint before the *Kodak* Scanner is shipped. When the original packaging is not available, contact Kodak Alaris' Response Center at (800) 822-1414 for part numbers and replacement packaging ordering information.

## Return procedure

Eligible purchasers seeking services for *Kodak* Scanners covered under this Limited Warranty must obtain a Return Material Authorization number ("RMA") by calling (800) 822-1414 and within ten (10) business days from the date of issuance of the RMA must return the *Kodak* Scanner to the address designated in the RMA at the end user's own expense and risk, in compliance with Kodak Alaris' current Packaging and Shipping Guidelines.

Any defective products or parts replaced by Kodak Alaris become the property of Kodak Alaris.

## Customer responsibility

BY REQUESTING SERVICE, THE ELIGIBLE PURCHASER ACKNOWLEDGES THE TERMS OF THE LIMITED WARRANTY, INCLUDING THE DISCLAIMER AND LIMITATION OF LIABILITY PROVISIONS. PRIOR TO SEEKING SERVICE, THE END USER MUST BACK-UP ANY DATA OR FILES THAT MAY BECOME DAMAGED OR LOST. KODAK ALARIS IS, WITHOUT LIMITATION, NOT RESPONSIBLE FOR LOST OR DAMAGED DATA OR FILES.

## Warranty Service descriptions

Kodak Alaris offers a range of service programs to support its Limited Warranty and to assist with the use and care of the *Kodak* Scanner ("Service Methods"). A *Kodak* Scanner represents an important investment. *Kodak* Scanners provide the productivity needed to stay competitive. The sudden loss of this productivity, even temporarily, could seriously affect the ability to meet commitments. Downtime can be very expensive, not just in the cost of the repair but also in time lost. To help alleviate these problems, Kodak Alaris may use one of the service methods listed below, depending upon product type, in providing service under its Limited Warranty.

Included with selected *Kodak* Scanners is a Limited Warranty Registration card and a Limited Warranty Summary card. The Limited Warranty Summary card is specific by model. The Limited Warranty Summary card contains important warranty information, including the model number and the Limited Warranty. Refer to the Limited Warranty Summary card to determine the available Service Methods applicable to the particular *Kodak* Scanner.

If the Limited Warranty Registration card or Limited Warranty Summary card cannot be located, additional information may be obtained about the product, including updated warranty and service program information and restrictions, online at [www.kodakalaris.com/go/disupport](http://www.kodakalaris.com/go/disupport).

To avoid service delays, Kodak Alaris urges end users to complete and return the enclosed Limited Warranty Registration Card at the first opportunity. If you cannot locate the Limited Warranty Registration card, you may register online at [www.kodakalaris.com/go/disupport](http://www.kodakalaris.com/go/disupport).

Kodak Alaris also provides a variety of service programs that may be purchased to assist with the use and care of the *Kodak* Scanner.

Kodak Alaris is committed to providing its customers with quality, performance, reliability and service under the Limited Warranty.

We expect to have a supply of spare parts and consumables for at least 5 years after product manufacture has been discontinued.

### **On-site service**

For the selected *Kodak* Scanner, and after the Response Center verifies a hardware problem, a service call will be opened and logged. A Kodak Alaris Field Engineer will be dispatched to the product location to perform repair service if the product is located within the contiguous forty-eight (48) United States, in certain areas of Alaska and Hawaii, and if there are no security, safety or physical requirements that would restrict the Field Engineer's access to the scanner. For additional information on service areas, visit our website at: [www.kodakalaris.com/go/docimaging](http://www.kodakalaris.com/go/docimaging). On-Site Service will be provided between the hours of 8 a.m. and 5 p.m. local time, Monday through Friday (excluding Kodak Alaris holidays).

### **Advanced Unit Replacement (AUR)**

AUR may be one of the easiest and most comprehensive service offerings in the industry. In the unlikely event of a product defect, for eligible purchasers of certain *Kodak* Scanners, Kodak Alaris will replace that product within two business days.

The AUR provides advance replacement on specific failed or broken *Kodak* Scanner. To be eligible to take advantage of the AUR, the eligible purchaser must obtain an RMA number, sign an Advance Replacement Agreement and provide a credit card deposit to secure the replacement product. The RMA number should be kept in the event that the status of the replacement product needs to be checked. The eligible purchaser will be asked for the address where the replacement product is to be shipped. The eligible purchaser will also be faxed packing and shipping instructions for the malfunctioning product. The eligible purchaser will then receive a replacement product within 2 business days after the service call initiation and Kodak Alaris' receipt of the signed agreement. The malfunctioning product must be received by Kodak Alaris within ten (10) days of the end user's receipt of the replacement product or the end user's credit card will be charged the list price of the replacement product. Shipment of replacement Imaging Product will be made at Kodak Alaris' expense and choice of freight carrier. Shipments not made under Kodak Alaris' directions and choice of freight carrier may void the Limited Warranty.

Before the product is returned to Kodak Alaris, be sure to remove all options and accessories (which include power cord, documentation, etc.) that are not covered by the Limited Warranty. The box and packaging in which the replacement product was shipped must be used to return the malfunctioning product. If the malfunctioning product is not returned in the box and packaging in which the replacement product was shipped the Limited Warranty may be voided. The Return Material Authorization Number ("RMA") must be clearly marked on the outside of the box to ensure proper receipt and credit of the defective product.

### **Depot service**

If the *Kodak* Scanner is not eligible for AUR or On-Site Service, an eligible purchaser may utilize our Depot Repair Service. The eligible purchaser will be instructed to ship the product to the nearest authorized Depot Repair Center. Product must be shipped at the eligible purchaser's risk and expense to the repair center. Before the product is returned to the repair center, be sure to remove all options and accessories (which include power cord, documentation, etc.) not covered by the Limited Warranty. All products should be returned to Kodak Alaris in the original shipping container, or in a recommended packing box. The *Kodak* Scanner must have the shipping restraint installed before it is shipped. When the original packaging is not available, contact Kodak Alaris' Response Center at (800) 822-1414, for ordering information. Eligible purchasers seeking services for *Kodak* Scanners must obtain a Return Material Authorization number ("RMA") by calling (800) 822-1414, and within ten (10) business days from the date of issuance of the RMA must return the *Kodak* Scanner to the address designated in the RMA at the end user's own expense and risk. The Return Material Authorization Number ("RMA") must be clearly marked on the outside of the box to ensure proper receipt and credit of the defective product.

Upon receipt of the product, the repair center will repair product within ten (10) business days. The repaired product will be shipped back two-day express mail at no expense to the eligible purchaser.

### **Important restrictions**

**Eligibility:** The Advance Exchange Program and the Depot Service are available to eligible purchasers in the fifty (50) United States, and On-Site Service is available in the contiguous forty-eight (48) states and in certain areas of Alaska and Hawaii for products purchased from authorized distributors of Kodak Alaris. The *Kodak* Scanner will be ineligible for any service under warranty if the product falls under any of Kodak Alaris' then-current Warranty Exclusions, including a purchaser's failure to return defective products to Kodak Alaris in compliance with Kodak Alaris' then current Packaging and Shipping Guidelines. Persons are only considered "eligible purchasers" or "end users" if they originally purchased the *Kodak* Scanner for their own personal or business use, and not for resale.

**Consumables:** Consumables are items that wear out under normal use and must be replaced by the end user as needed. Consumables, supplies, other expendable items and those items identified as being the user's responsibility in the User's Guide are not covered under the Limited Warranty.

Any defective products or parts replaced by Kodak Alaris become the property of Kodak Alaris.

## **Contacting Kodak Alaris**

For Information on *Kodak* Scanners:

Website: [www.kodakalaris.com/go/docimaging](http://www.kodakalaris.com/go/docimaging)

For U.S. Service, Repair and Technical Assistance by Telephone:

Telephone technical support is available Monday-Friday between the hours of 5 a.m. to 5 p.m. excluding Kodak Alaris holidays.

Phone: (800) 822-1414

For Technical Documentation and FAQ's available 24 hours a day:

Website: [www.kodakalaris.com/go/docimaging](http://www.kodakalaris.com/go/docimaging)

For Service Program Information

Website: [www.kodakalaris.com](http://www.kodakalaris.com)

Phone: (800) 822-1414



